

# MegaJet MJ-5501

---

O P E R A T I N G      I N S T R U C T I O N S



**CITIZENS BAND**  
**MJ-5501**  
**AM/FM 40 CHANNEL**

**Downloaded from [www.cbradio.nl](http://www.cbradio.nl)**

# GENERAL INFORMATION SPECIFICATIONS

## General Information

Frequency Range	: 26.965-27.405 MHz
Channel	: 40
Mode of Operation	: F3E (FM), A3E (AM)
Antenna Impedance	: 50 ohm
Controls	: Volume Control with Power On-Off Switch Variable Squelch. Channel Up/Down Busy Scan, Power Hi/Low, CH19, Light-On Switch AM/FM Switch.
Speaker	: 1 1/2 Inches 8 ohm 0.5W
Microphone	: Condenser Microphone
Power Supply	: 10.9 Volt-15.6 Volt, Nominal 13.8 Volt (Batt 9 Cell 10.8 V)
Dimensions	: 65(W)×39(D)×165(H) m/m

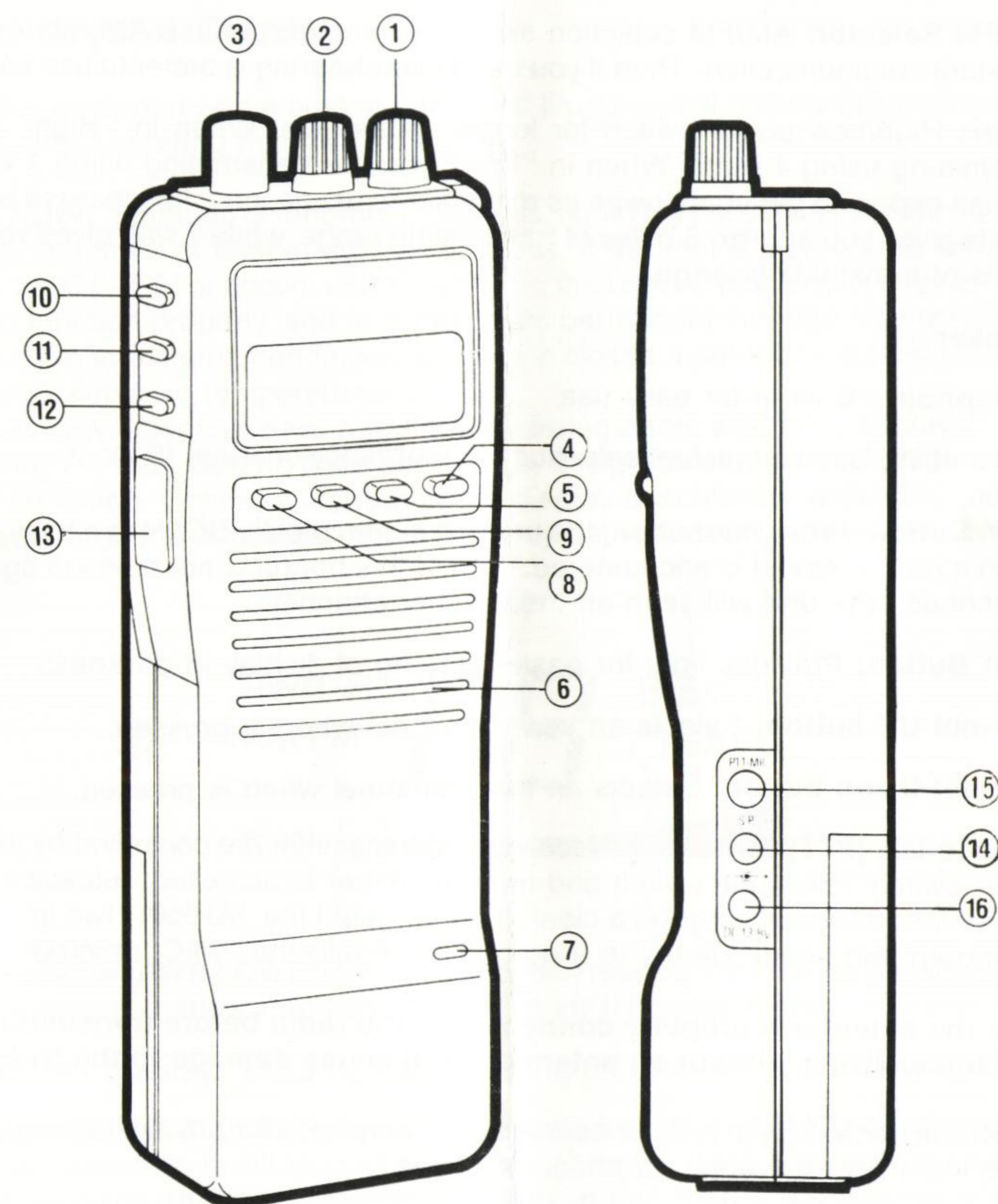
## Receiver

Sensitivity at S/N 10dB	: 0.5 $\mu$ V (AM), 0.25 $\mu$ V (FM)
Selectivity	: 6dB @5KHz
AGC Figure of Range	: 80dB
Squelch Range	: 0.25V-500 $\mu$ V
Audio Output Power	: 0.5 Watts 8 ohm (10% Distortion)
Distortion at Input 1000 $\mu$ V	: 3%
Audio Frequency Response	: 400-2400 Hz
If Frequency	: 1st 10.695 MHz 2nd 455 KHz
Supurious Response	: More than 45dB
Current Drain at Standby	: 100mA when the save mode is off 45mA the save mode on.

## Transmitter

RF Output Power	: 4.0 Watts
Frequency Tolerance	: 0.005%
Harmonic Suppression	: More than 70dB
Current Drain	: 900mA
Modulation	: AM 90% ( $\pm$ 5%) FM Dev 2.0KHz

# DESCRIPTION OF FEATURES



- ① **Off/On/Volume:** Turn clockwise to turn power on and set the desired listening volume.
- ② **Squelch:** This control is used to cut off or eliminate receiver back-ground noise in the absence of an incoming signal. For maximum receiver sensitivity, it is desired that the control be adjusted only to the point where the receiver background noise or ambient background noise is eliminated. Rotate clockwise until the receiver noise just disappears. This will require the incoming signal to be slightly stronger than the average receiver noise. Further clockwise rotation will increase the threshold level which a signal must overcome in order to be heard. Only strong signals will be heard at a maximum clockwise setting.  
**Automatic Noise Limiter:** This is a non-switchable feature that is always on to reduce background noise.
- ③ **Antenna Receptacle:** TNC connector for custom flexible antenna. For greater distance, it's recommended that a telescoping antenna be used. To order see accessories order form

- ④ **AM/FM Selector:** AM/FM selection sw we recommend to use AM mode in case of distant communication. Then if you need clear hearing is better to use FM mode.
- ⑤ **Power:** High/Low power switch for longer battery life. When in "High" you are transmitting using 4 watts. When in "Low" you are transmitting using 1 watt and you can expect to get about twice as many hours usage, on a full charged batteries 4 watts gives you approx. 5 miles of transmitting range, while 1 watt gives you about 1 mile of transmitting range.
- ⑥ **Speaker**
- ⑦ **Microphone:** Built in for easy use.
- ⑧ **Channel 19:** Used for instant selection of emergency channel 19 or 9.
- ⑨ **Scan Button:** Press this button, the unit will automatically SCAN to a busy channel when a busy channel is encountered. Then, if this button is not pressed again after 5 seconds, the unit will scan on the another channel.
- ⑩ **Light Button:** Provides light for easier viewing of display in darkness.
- ⑪ **Channel UP button:** Selects an upper channel when is pressed.
- ⑫ **Channel Down button:** Selects an lower channel when is pressed.
- ⑬ **Press-to-Talk (PTT) Switch:** The receiver and transmitter are controlled by the press-to-talk switch. Press the switch and the transmitter is activated: release switch to receive when transmitting (on a clear channel), hold the MJ-5501 two inches from the mouth and speak clearly in a normal voice into the "MIC" microphone.

**Be sure the antenna is properly connected to the radio before transmitting. Prolonged transmitting without an antenna could cause damage to the transmitter.**

- ⑭ **Earphone Jack:** 3.5mm jack for connection of earphone for private listening (disconnects main speaker when earphone is in use.)
- ⑮ **Microphone Jack:** 2.5mm jack for connection of optional PTT microphone (see accessories order form).
- ⑯ **Power/Charge Jack:** This jack is used to provide power your MJ-5501 from your automobile, boat, RV, truck, etc. A power cord with a cigarette lighter plug is supplied for this purpose.  
This jack is used to recharge the battery case when ni-cad batteries are used (see battery case instructions). An AC charger is supplied for this purpose. You can not charge your batteries using the cigarette lighter plug power cord.

## CAUTION

Any changes or modifications in construction of this device which are not expressly approved by the party responsible for compliance could void the user's authority to operate the equipment.

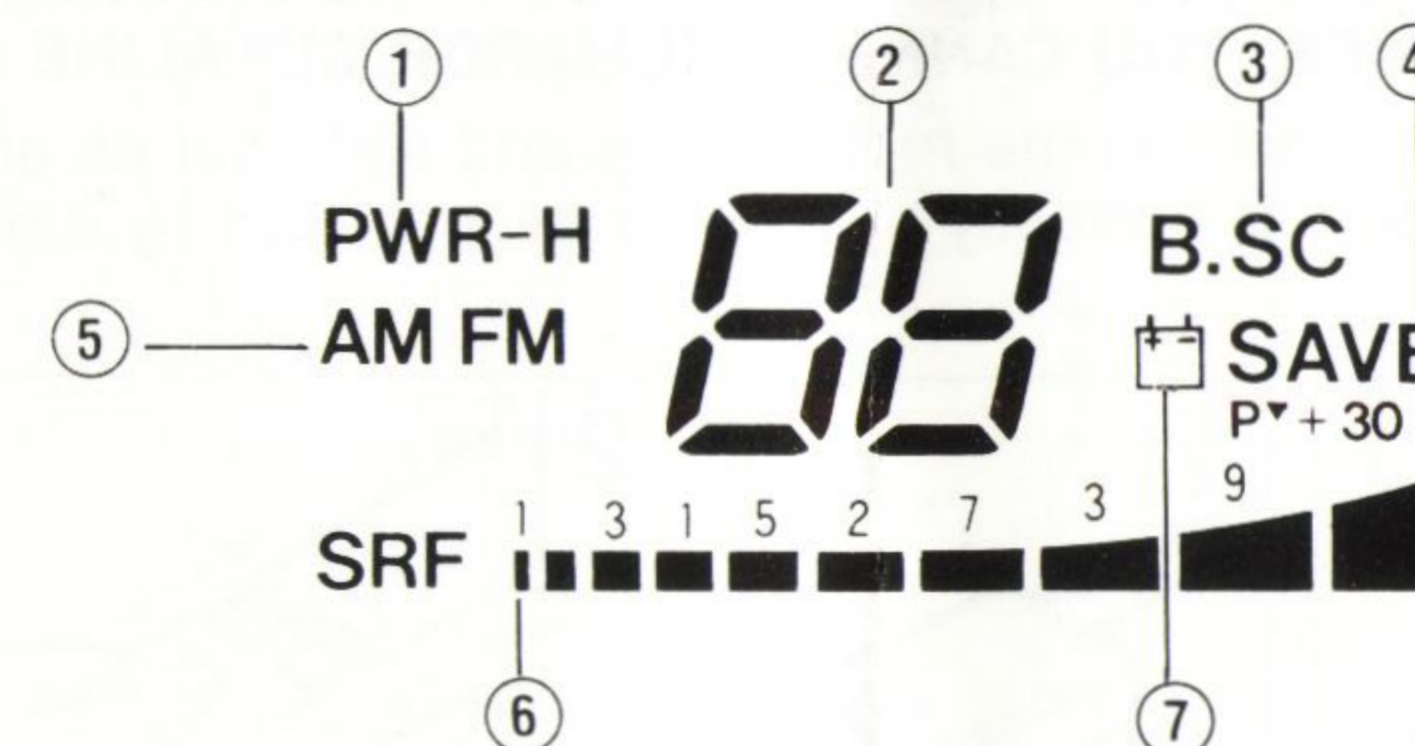
# DISPLAY PANEL INFORMATION

## Liquid Crystal Display

Your CB is equipped with a custom-designed liquid crystal display to indicate channel number, and operating modes.

**CAUTION:** Because of inherent limitations, liquid crystal display should not be subjected to extremes of temperature or humidity. If the unit is exposed to temperature below  $-20^{\circ}\text{C}$  ( $-5^{\circ}\text{F}$ ) or above  $+60^{\circ}\text{C}$  ( $+140^{\circ}\text{F}$ ), the liquid crystal display may temporarily cease to function properly, and in some cases permanent damage may result. Do not subject radio to extreme conditions, such as a closed automobile in direct sunlight or continuous sub-zero temperatures.

All liquid crystal displays have a preferred viewing angle when the display contrast is maximum. The best viewing point depends on design considerations, temperature, and battery condition. Optimum viewing of the display is achieved by holding the unit so that the battery end is pointed about half-way between straight down and straight at the user.



- ① **Power Low (PWR LOW):** When power button (see front panel) is pushed the PWR-H will appear to show that you are now in HIGH power mode.
- ② **Channel Display:** The selected operating channel will be displayed here.
- ③ **B.SC:** Your MJ-5501 incorporates a scanning feature. The MJ-5501 will scan through all 40 channels. It will stop at any BUSY channel. It will stay on that channel until five seconds after conversation has ceased and then it will resume scanning. To activate this feature, turn on the power and adjust the volume. Adjust the "SQUELCH". Depress the SCAN button to start scanning. The word B-SC will appear in the LCD display window and the unit will start scanning. If you want to stop scanning you can push the scan button again or touch the push to talk switch. If the unit is scanning and stops on a channel that you want to talk to the other party, simply depress the push to talk switch. This will shut off the scanning function and transmit on that channel.
- ④ **SAVE:** Your MJ-5501 incorporates a battery save circuit. This extends the life of your batteries. If you are on a specific channel and no one is transmitting on it for five seconds, the word "SAVE" will appear. If a signal appears, the receiver will go back to normal operation. The SAVE switch is also overridden when you operate SCAN. This feature will greatly enhance the life of your batteries.

- ⑤ **AM/FM:** The selected operating mode will be displayed here.
- ⑥ **S/R/F Power Meter:** Shows relative transmitter RF output power and input signal strength when receiving.
- ⑦ **Battery Low (BATT LOW):** To let you know of a low battery condition the BATT LOW will appear.

## BATTERY CASE INSTRUCTIONS

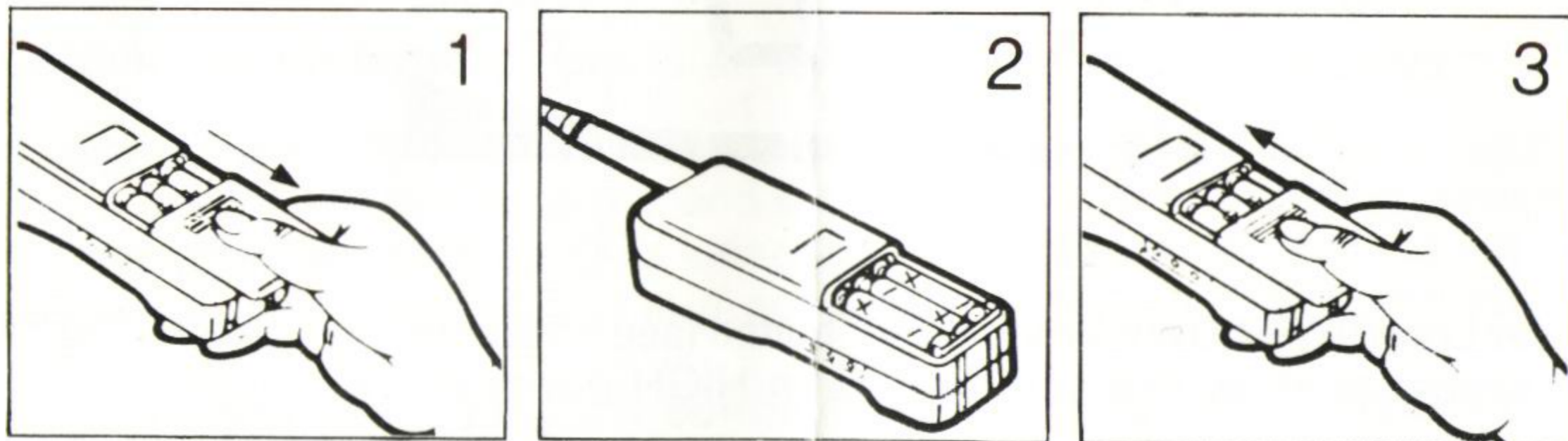
### BATTERY INSTALLATION

We recommended using alkaline "AA" or rechargeable nickel cadmium batteries. Your battery case requires nine "AA" alkaline cell or nine rechargeable "AA" nickel cadmium batteries. Press down on battery door, which then slides out when installing batteries observe the polarity marking on the inside of the rear cabinet.

### BATTERY RECHARGING

Caution: Use only the AC charger supplied with your MJ-5501 So as to avoid the possibility of improper charging, damage to the batteries, the unit, or an injury from burn or explosion of the battery or charger. **NEVER USE THE CHARGER WHEN USING ALKALINE BATTERIES. YOU CANNOT RECHARGE ALKALINE BATTERIES.**

Push gently on the battery door in the rear cabinet and slide out as arrow indicate. Please note, battery polarity is correctly positioned as indicated by embossed mark in side battery house.



## INITIAL OPERATION

1. Rotate the power ON-OFF volume control clockwise to turn the unit on. Adjust the volume for normal listening levels.
2. Adjust the RANGE/SEQUELCH control per previous instructions.
3. Select the desired channel by touching the channel "UP ▲" or "DOWN ▼" buttons.

NOTE: IF THE CHANNEL WILL NOT CHANGE THE MEMORY SWITCH MAY BE ENGAGED. IF THIS OCCURS. TURN THE "EMERGENCY" MEMORY SWITCH OFF

4. Put the high/low power switch in the "H" position.

NOTE: IF YOU WISH TO USE SCAN ECT. REFER TO PROVIOUS INSTRUCTIONS.

### TO TRANSMIT

Press and hold in the push to talk button on the left side of the unit. Hold the MJ-5501 from you mouth and speak into the microphone in a normal voice.

### TO RECEIVE

Simply release the push to talk switch.

## SCHEMATIC DIAGRAM

