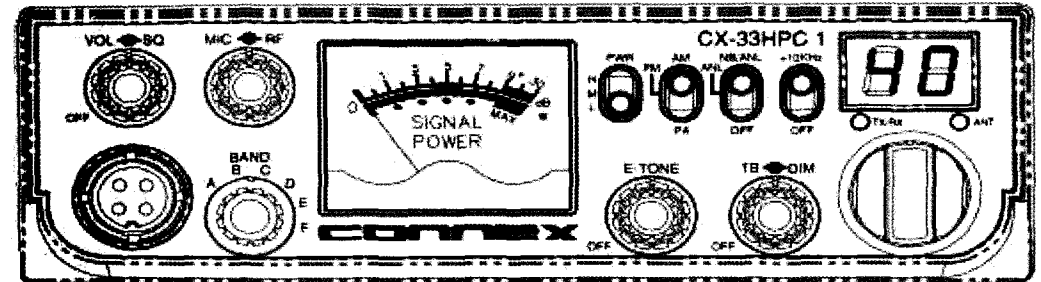


Downloaded  
from  
www.cbradio.nl

# CX-33HPC1



AM/ FM Two Way  
Amateur Mobile Transceiver

**OWNER'S MANUAL**

## TABLE OF CONTENTS

	PAGE
<b>CHAPTER 1</b>	
<b>Specifications</b> .....	2
<b>CHAPTER 2</b>	
<b>Installation</b> .....	3
Installing The Radio .....	3
Ignition Noise Interference .....	4
Antenna .....	4
External Speaker .....	4
Public Address .....	4
<b>CHAPTER 3</b>	
<b>Operation</b> .....	5
Front Panel .....	5
Rear Panel .....	7
Procedure to Receive and Transmit .....	8
Alternate Microphone and Installation .....	9

## CHAPTER 1 SPECIFICATIONS

### GENERAL

Model	CX-33HPC1
Frequency Range	28.765 ~ 29.205 MHz
Emission	AM/FM
Frequency Control	Phase-Lock-Loop (PLL) Synthesizer
Frequency Stability	0.001%
Temperature Range	-30°C to +50°C
Antenna Impedance	50 Ohms
Antenna Connectors	Standard SO-239 type
Input Voltage	13.8V DC
Size:	7 1/4" (W) x 9" (D) x 2 1/4" (H)
Weight:	3.615 lbs.

### TRANSMITTER

RF Power Output:	HI: 10W/ MID : 4W / LO: 3W
Spurious Emission	> -55 dB
Audio Distortion	10%
Frequency Response	300 to 2500 Hz
Microphone	Dynamic

### RECEIVER

Sensitivity for 10 dB (S+N)/N	AM: < 1 uV
Sensitivity for 20 dB (S+N)/N	FM: < 0.5 uV
Squelch Sensitivity	< 0.5 uV
Selectivity	> -60 dB
Image Rejection	> 50 dB
Hum & Noise	> -40 dB
AGC Figure of Merit	70 dB for 50 mV for 10 dB Change in Audio Output
Audio Power Output	2.5W @ 10% Distortion
Audio Response	300 to 2500 Hz

(SPECIFICATIONS SUBJECT TO CHANGE WITHOUT NOTICE)

## CHAPTER 2 INSTALLATION

### INSTALLING THE RADIO

Choose a convenient location for operation that does not interfere with driver or passenger. This radio is supplied with a universal mounting bracket. When mounting the bracket and radio to your car, make sure it is mechanically strong. Also, provide a good electrical grounding connection to the chassis of vehicle. Proceed as follows to install the radio.

1. Locate a convenient area in your vehicle for the installation of the radio. Hold the mounting bracket with the radio in the location where the radio is to be installed. Make sure nothing will interfere with either the radio or the mounting bolts. Mark and then drill holes for the mounting bracket.
2. Most radio antennas come equipped with a PL-259 plug. Connect this plug to the ANT. Jack in the rear of the radio.
3. Extending from the rear of the radio is a fused red and black wire for the DC connections to the vehicle's electrical system. For best performance, it is strongly recommended that the red lead be taken directly to the positive terminal on the vehicle's battery and the black lead be connected to the nearest chassis ground. (Note: *This radio is designed for vehicles with negative ground systems.*)

Connections should be made using appropriate "crimp on" lugs of a size large enough to make good contact with the bolt used to fasten to the battery and the chassis ground. It is a good safety idea to install a second fuse that would provide protection in case the red wire was to "fray" or get pinched and short to the body of the vehicle, somewhere between the battery and the radio.

High power radios such as this one require large DC current flow when in the TX mode. Poor power connections cause supply voltage drops that can substantially decrease the performance of your radio. A good DC connection is probably one of the most important things for getting the best transmitter performance and in some cases, least receiver noise.

4. Mount the microphone bracket near the radio in an easily accessible spot using the two screws provided.

### IGNITION NOISE INTERFERENCE

#### ANTENNA

This radio has a jack in the rear for a standard PL-259 antenna plug. If you are looking for the most range for your transmission, use a vertically polarized, quarter-wave length antenna. If antenna height is a problem, you may use a shorter, loaded-type whip antenna although you can expect some loss of transmission range.

To improve performance, your antenna should be matched to your radio. Your antenna can be adjusted so that it matches your radio.

#### EXTERNAL SPEAKER

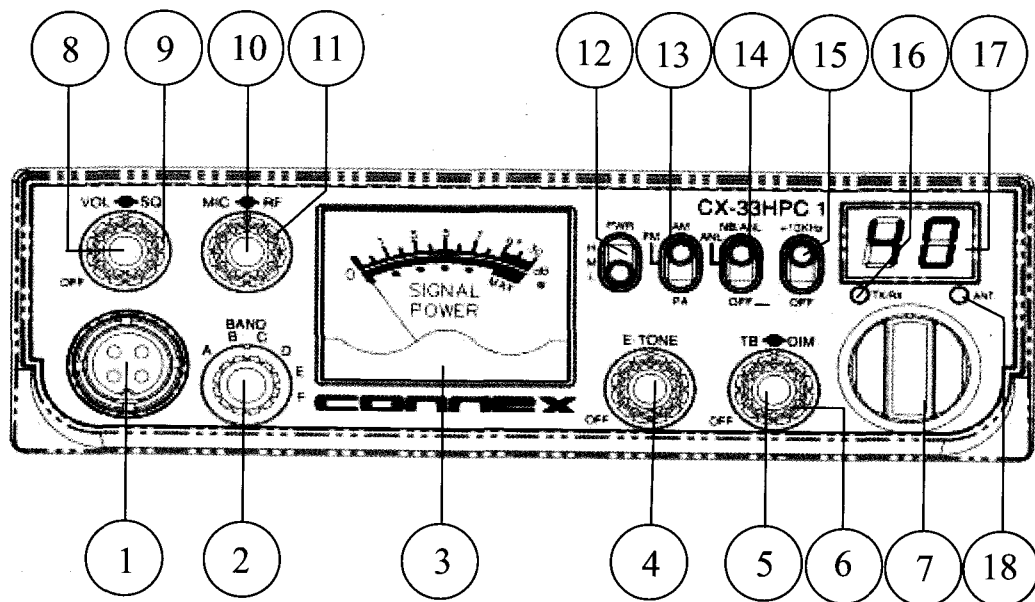
The external speaker jack (EXT SP.) on the rear panel is used for remote receiver monitoring. The external speaker should have 8 ohms impedance and be able to handle at least 4 watts. When the external speaker is plugged in, the internal speaker is disconnected.

#### PUBLIC ADDRESS

To use the Public Address (PA) function, first connect an external speaker to the PA. SP. Jack on the rear of the radio. See the above specifications for a proper external speaker. Keep the speaker away from the microphone to avoid acoustic feedback.

## CHAPTER 3 OPERATION

### CONTROL FUNCTIONS (FRONT PANEL)



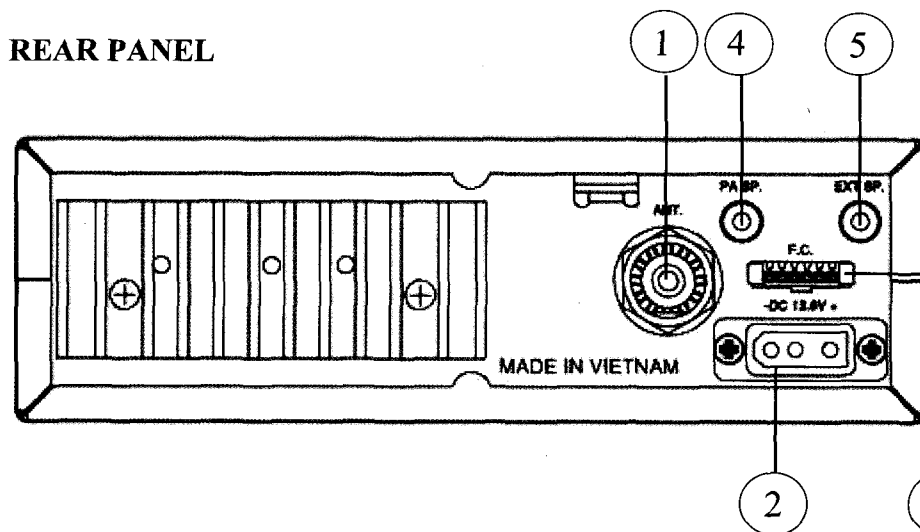
1. **MICROPHONE JACK:** Used to connect microphone for voice source.
2. **BAND SELECTOR:** This switch is used to select the band.
3. **FRONT PANEL METER:** The front panel meter allows the user to monitor signal strength and RF output power.
4. **E-TONE CONTROL:** This control is used to adjust echo effect and intervals of echo.
5. **TALKBACK(TB) SWITCH :** This is used to monitor your own voice. For example ,you could use this feature to compare different microphones.
6. **DIMMER :** Controls the brightness of the meter ,channel display ,RX/ TX LED and ANT LED.

7. **CHANNEL SELECTOR:** This control is used to select the desired transmit and receive channel.
8. **ON/OFF VOLUME CONTROL:** This knob controls the volume and power to the radio. To turn radio on, rotate the knob clockwise. Turning the knob further will increase the volume of the receiver.
9. **SQUELCH CONTROL:** This knob is used to eliminate background noise being heard through the receiver, which can be disturbing when no transmissions are being heard through the receiver. To use this feature, turn the knob fully counterclockwise and then turn clockwise slowly until the background noise is just eliminated. Further clockwise rotation will increase the threshold level which a signal must overcome in order to be heard. Only strong signals will be heard at a maximum clockwise setting.
10. **MIC GAIN CONTROL:** Adjusts the microphone gain in the transmit and PA modes. This controls the gain to the extent that full talk power is available several inches away from the microphone. In the Public Address (PA) mode, the control functions as the volume control.
11. **RF GAIN CONTROL:** This control is used to reduce the gain of the RF amplifier under strong signal conditions.
12. **RF POWER HI/MID/LO SWITCH:** This switch allows the user to select High ,Mid or Low RF power output
13. **MODE SWITCH:** This control allows you to select one of the following operating modes: AM/FM/PA
14. **NB-ANL/ANL/OFF SWITCH:** This is a three-position switch. Move the switch all the way up to activate the Noise Blanker (NB) and Automatic Noise Limiter (ANL). The Noise Blanker is very effective in eliminating repetitive impulse noise such as ignition interference. When the switch is moved to the middle position, only the Automatic Noise Limiter (ANL) is engaged. Move the switch to the bottom position to turn off the ANL and NB.
15. **+10KHz :** When switch to +10KHz position , the transmit and receive frequency is shifted 10KHz.
16. **RX/TX LED:** The red LED indicates the unit is in the transmit mode. The green LED indicates the unit is in the receive mode.

17. **CHANNEL DISPLAY:** The channel display indicates the current selected channel.

18. **ANT LED :** This LED light red when your SWR is higher than about 3:1. This is not an exact indicator of 3:1 SWR, but it is an indication that you should check your antenna and its components.

## REAR PANEL



1. **ANTENNA:** This jack accepts a 50 ohm coaxial cable with a PL-259 type plug.
2. **DC POWER:** This jack accepts the 13.8V DC power cable with built-in fuse. The power cord provided with the radio has a black and red wire. The black goes to negative and red goes to positive.
3. **F.C.:** This connector is used for an external frequency counter which indicates the frequency of the selected channel.
4. **PA SP:** This jack is for PA operation. Before operating, you must first connect a speaker (8 ohms, 4W) to this jack.
5. **EXT. SP:** This jack accepts a 4 to 8 ohm, 5 watt external speaker. When the external speaker is connected to this jack, the built-in speaker will be disabled.

(Remark: \* Additional function is depend on Model.)

## PROCEDURE TO RECEIVE AND TRANSMIT

### A. MICROPHONE

The push-to-talk switch on the microphone controls the receiver and transmitter. Press the switch and the transmitter is activated, release switch to receive. When transmitting, hold the microphone two inches from your mouth and speak clearly in a normal voice. This transceiver comes complete with a low impedance dynamic microphone.

### B. PROCEDURE TO RECEIVE

1. Be sure that power source, microphone and antenna are connected to the proper connectors before going to the next step.
2. Turn **VOL** knob clockwise to apply power to the radio.
3. Set the **VOL** for a comfortable listening level.
4. Set the **MODE** switch to the desired mode.
5. Listen to the background noise from the speaker. Turn the **SQ** knob slowly clockwise until the noise just disappears. The **SQ** is now properly adjusted. The receiver will remain quiet until a signal is actually received. Do not advance the control too far or some of the weaker signals will not be heard.
6. Set the **CHANNEL** selector switch to the desired channel.
7. Set the **RF GAIN** control fully clockwise for maximum RF gain.

### C. PROCEDURE TO TRANSMIT

1. Select the desired channel of operation.
2. Set the **MIC GAIN** control fully clockwise.
3. If the channel is clear, depress the push-to-talk switch on the microphone and speak in a normal voice.

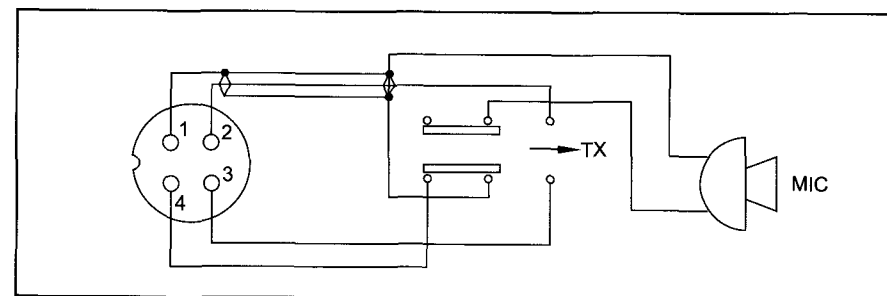
## ALTERNATE MICROPHONES AND INSTALLATION

For best results, the user should select a low-impedance dynamic type microphone or a transistorized microphone. Transistorized type microphones have low output impedance characteristics. The microphones must be provided with a four-lead cable. The audio conductor and its shielded lead comprise two of the leads. The third lead is for transmit control and fourth is for receiving control.

The microphone should provide the functions shown in the schematic below.

### 4 WIRE MIC CABLE

<u>Pin Number</u>	<u>Mic Cable Lead</u>
1	Audio Shield
2	Audio Lead
3	Transmit Control
4	Receive Control

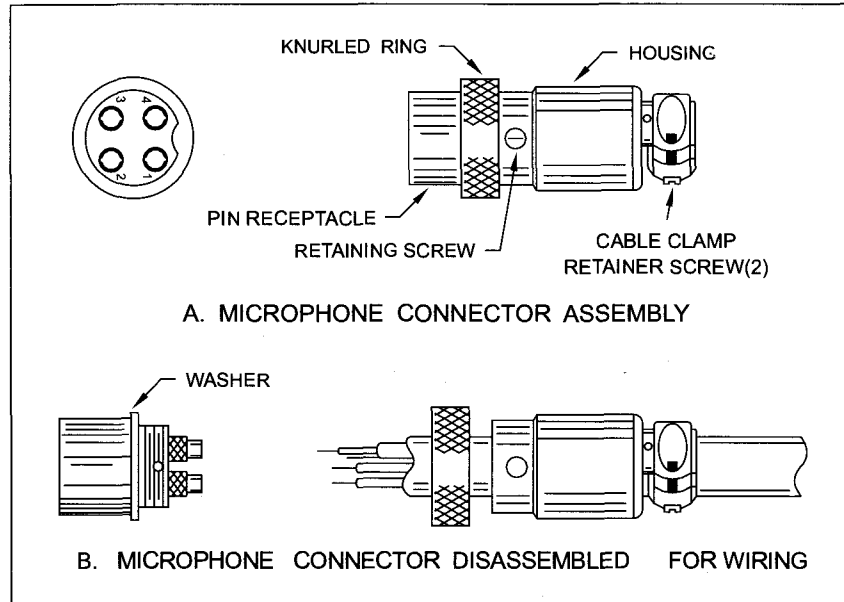


**Fig. 1** Your transceiver microphone schematic.

If the microphone to be used is provided with pre-cut leads, they must be revised as follows.

1. Cut leads so that they extend 7/16" beyond the plastic insulating jacket of the microphone cable.
2. All leads should be cut to the same length. Strip the ends of each wire 1/8" and tin the exposed wire.

Before beginning the actual wiring, read carefully the circuit and wiring information provided with the microphone you select. Use the minimum heat required in soldering the connections. Keep the exposed wire lengths to a minimum to avoid shorting when the microphone plug is reassembled.

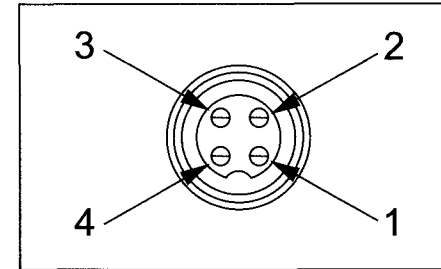


**Fig. 2** Microphone plug wiring

To wire the microphone cable to the plug provided, proceed as follows:

1. Remove the retaining screw.
2. Unscrew the housing from the pin receptacle body.
3. Loosen the two cable clamp retainer screws.
4. Feed the microphone cable through the housing, knurled ring and washer as shown Figure 2.

5. The wires must now be soldered to the pins as indicated in the above wiring tables. If a vise or clamping tool is available it should be used to hold the pin receptacle body during the soldering operation, so that both hands are free to perform the soldering. If a vise or clamping tool is not available, the pin receptacle body can be held in a stationary position by inserting it into the microphone jack on the front panel. The numbers of the microphone plug are shown in Fig. 3, as viewed from the back of the plug. Before soldering the wire to the pins, pre-tin the wire receptacle of each pin of the plug.



**Fig. 3** Microphone plug pin numbers viewed from rear of pin receptacle.

6. Be sure that the housing and the knurled ring of Figure 2 are pushed back onto the microphone cable before starting to solder. If the washer is not captive to the pin receptacle body, make sure that it is placed on the threaded portion of the pin receptacle body before soldering.
7. If the microphone jack is used to hold the pin receptacle during soldering operation, best results are obtained when the connections to pin 1 and 3 are made first and then the connections to pins 2 and 4. Use a minimum amount of soldering and be careful to prevent excessive solder accumulation on pins, which could cause a short between the pin and the microphone plug housing.
8. When all soldering connections to the pins of the microphone are completed, push the knurled ring and the housing forward and screw the housing onto the threaded portion of the pin receptacle body. Note the location of the screw clearance hole in the plug housing with respect to the threaded hole in the pin receptacle body. When the housing is completely threaded into the pin receptacle body, a final fraction of a turn either clockwise or counterclockwise may be required to align the screw hole with the threaded hole in the pin receptacle body. When these are aligned, the retaining screw is then screwed into place to secure the housing to the pin receptacle body.

