

M-110 PLUS

MULTI STANDARD PROGRAMMABLE
27 MHz CB MOBILE TRANSCEIVER

OWNER'S MANUAL
MANUALE DI ISTRUZIONI



INTEK[®]

Downloaded from www.cbradio.nl

Declaration of Conformity

EC Certificate of Conformity
(to EC Directive 99/5-89/336-93/68-73/23)

DECLARATION OF CONFORMITY

With the present declaration, we certify that the following products :

INTEK M-110 PLUS

comply with all the technical regulations applicable to the above mentioned products in accordance with the EC Directives 73/23/EEC, 89/336/EEC and 99/5/EC.

Type of product : CB Transceiver

Details of applied standards : EN 300 433, EN 300 135-2
EN 301 489-1, EN 301 489-13
EN 60065

Manufacturer : **INTEK S.R.L.**
Via G. Marconi, 16
20090 Segrate, Italy
Tel. 39-02-26950451 / Fax. 39-02-26952185
E-mail : intek.com@intek-com.it

Notified Body : EMC Cert Dr. Rasek
Boelwiese 5, 91320 Ebermannstadt
Germany
Identification Number : 0678

Contact Reference : Armando Zanni
Tel. 39-02-26950451 / Fax. 39-02-26952185
E-mail : intek.com@intek-com.it

Segrate, 06/09/2005

dr. Vittorio Zanetti
(General Manager)

NOTICE !

It is recommended to carefully read this owner's manual before using the product. This will also help the user to prevent using the radio in violation of the regulations valid in the country where the product is used, as well as to avoid any possible interferences with other services.

CE 0678



Index - Introduction - Content of the packaging

Index	1
Introduction	1
Content of the packaging	1
Controls and operation	2 - 4
Installation	5
Frequency bands table	6
Frequency band selection / programming	7
Table of restrictions on the use of CB transceivers	7 / 17
Specifications	8
PCB - Main Board & CPU Board	18-19
Diagram	20-21
Block Diagram	22-23
Notes	24-25

English

NOTICE !

Before using this transceiver, please check that the radio has been programmed on the frequency bands, specifications and operating modes allowed by the regulations valid in the country where the product is used. If not, please proceed to modify the frequency band programming, as it is described in this owner's manual. This transceiver is factory pre-programmed on the CE European frequency band (CEPT 40CH FM 4W).

Congratulations!

Congratulations for selecting and purchasing an INTEK quality product. This transceiver includes a number of advanced functions and systems, therefore it is definitely necessary to carefully read this owner's manual before using the radio. With a correct use of the product in accordance with the operating method described in this manual, the product will offer a trouble free use for many years. INTEK is constantly engaged to develop and provide quality products meeting the customers requirements, however any suggestion or comments on this product that might help us to improve quality are warmly welcome. INTEK M-110 PLUS is a CB transceiver using advanced hardware and software design, it includes a special multi-standard programmable circuit, which allows to program the specifications of the radio (frequency bands, operating modes, transmitter power) in compliance with the regulations valid in the various European countries. Therefore this product can be used in any country of the European Community. The radio is delivered factory pre-programmed on the CE European frequency band (CEPT 40CH FM 4W).

Content of the packaging

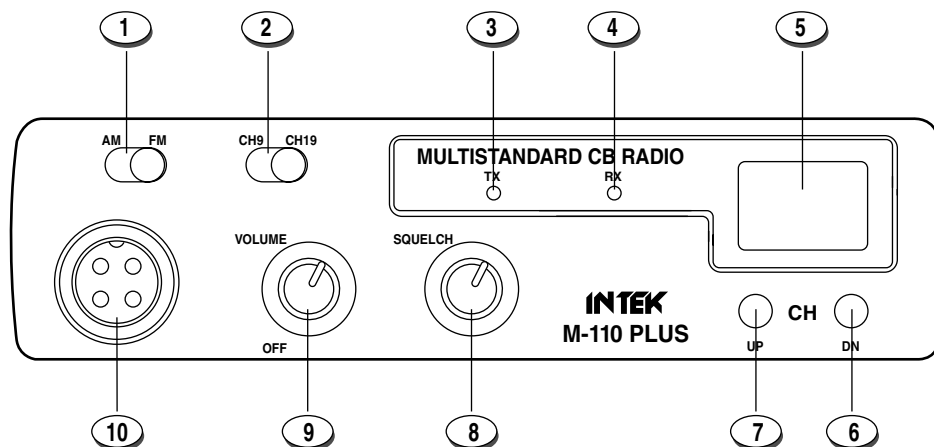
Please check that all the following items are contained in the packaging :

- main unit (transceiver)
- DC power cord with fuse holder and fuse
- dynamic microphone
- car mounting bracket
- car mounting bracket accessories (hardware, knobs, etc.)
- microphone bracket
- owner's manual

Controls and operation

Front Panel

English



1. AM / FM Selector

This switch allows to select the operating mode AM or FM, in both TX and RX, if the desired operating mode is enabled by the programmed frequency band.

UK / CE SELECTOR

If the UK (United Kingdom) frequency band has been programmed, set the switch to the AM position to select the CE channels (frequencies) or set the switch to the FM position to select the UK channels (frequencies).

2. CH9 / CH19 Selector

This 3-position switch allows to select the emergency channels CH9 and CH19 in the programmed frequency band. If the switch is set to its center position, radio will operate on the normal selected channel.

3. TX Indicator

This red color LED indicator is lighted when radio is in the transmit mode.

4. RX Indicator

This green color LED indicator is lighted when radio is in the receive mode.

5. LED Display

The large size two-digit LED display indicates the operating channel and the programmed frequency band code.

6. DN (Down) Key

This key allows to select the operating channel downward. By keeping this key pressed, the quick channel selection mode will be enabled.

7. UP (Up) Key

This key allows to select the operating channel upward. By keeping this key pressed, the quick channel selection mode will be enabled.

Controls and operation

8. SQUELCH Control

The SQUELCH control allows to silent the radio, cancelling the background noise, when no signals are received on the operating channel. Turn the SQUELCH knob clockwise until the background noise stops. Turn the SQUELCH knob counterclockwise (SQUELCH opening) to listen to the weakest signals.

9. OFF / VOLUME Control

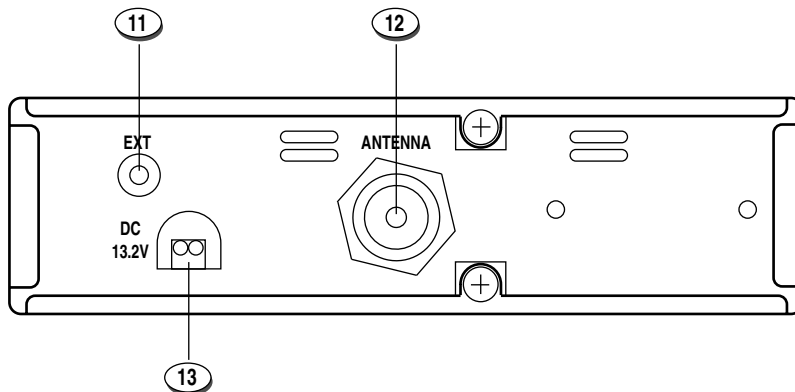
Use this knob to switch radio ON and OFF, as well as to adjust the receiver volume to the desired level. To adjust the receiver volume in case no signals are received on the operating channel, open the SQUELCH and then adjust the receiver volume using the background noise as a reference.

10. Microphone Connector

Connect the microphone to this connector and turn the connector ring to lock it.

English

Rear Panel



11. EXT (External Speaker) Jack

This jack is for connecting an external speaker (optional).

12. ANTENNA Connector

Antenna connector. Refer to the section INSTALLATION OF THE ANTENNA.

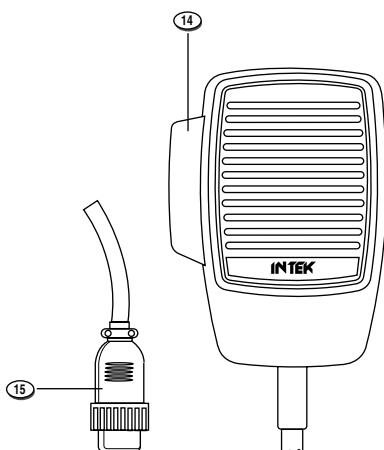
13. 13.2VDC POWER CORD

13.2VDC power cord input.

Controls and operation

Microphone

English



14. PTT (Push-to-Talk) Key

Transmitter key. Press the PTT key to transmit and release it to return to the receive mode.

15. MICROPHONE Plug

4-pin microphone connector with locking ring. Connect it to the microphone connector on the front panel of the radio.

IMPORTANT !

Do never attempt to open the cabinet of the transceiver. No user serviceable parts inside. Internal modifications or tampering may cause damage to the product, modify its technical specifications and will void warranty rights. If service or repair are required, please go to an authorised service centre or specialized technician.

Installation

Installation

Before installing the main unit in the vehicle, check and select the most convenient location, in order that the radio will be easy to reach and comfortable to operate, without disturbing or interfering with the vehicle drive. Use the supplied bracket and hardware to install the radio. The bracket screws must be well tightened in order not to become loosen with the vehicle vibrations. The car mounting bracket can be installed over or below the radio and the radio may be inclined as desired according to the specific type of installation (under dashboard or track cabin roof installation).

Installation of the Main Unit

Before connecting the radio to the vehicle electric system, make sure that radio is switched off, with the OFF/VOLUME (9) knob completely turned counter clockwise at OFF position. The DC power cable (13) of the radio is complete with a fuse holder with fuse located on the red positive (+) wire. Connect the DC power cable to the vehicle electric system, with special attention to respect correct polarity, even if the radio is protected against polarity inversion. Connect the red wire to the positive (+) pole and the black wire to the negative (-) pole of the vehicle electric system. Make sure that the wires and terminals are firmly and stably connected, in order to prevent cables from disconnecting or causing short circuits.

Installation of the Antenna

A specific mobile antenna adjusted for 27 MHz frequency range must be used. The antenna installation must be done by a specialised technician or service centre. Please pay special attention to carefully install the antenna on the vehicle with perfect connection to ground. Before connecting the antenna to the radio, it is necessary to check the correct operation of the antenna with low standing wave ratio (S.W.R.), using adequate instruments. If not, the transmitter circuit of the radio could be damaged. The antenna must be usually installed on the highest part of the vehicle, free from obstacles and as far away as possible from any source of electric or electromagnetic noise. The RF antenna coaxial cable must not be damaged or pressed on its way between antenna and the radio. The correct operation of the antenna and the low standing wave ratio (S.W.R.) must be checked periodically. Connect the RF antenna coaxial cable to the antenna connector (12), located on the rear side of the radio.

Checking Operation of the Radio

Once radio has been connected to the vehicle electric system and to the antenna, the correct operation of the system may be checked. Please proceed as follows :

- 1) Check that the power cable is correctly connected.
- 2) Check that the RF antenna coaxial cable is correctly connected.
- 3) Connect the microphone to the connector (10), located on the front side of the radio.
- 4) Rotate the SQUELCH (8) knob counter clockwise.
- 5) Turn radio on using the OFF/VOLUME (9) knob and adjust volume to the desired level.
- 6) Select the desired channel, using the channel selector keys (6, 7).
- 7) Rotate the SQUELCH (8) knob clockwise, to cut the background noise.
- 8) Press the PTT (14) key to transmit and release it to receive.

The transceiver will work correctly.

Frequency bands table

Frequency Bands Table

The transceiver INTEK M-110 PLUS includes an advanced multi-standard programmable circuit, which allows to program different frequency bands, specifications and operating modes, in conformity with the regulations in the country where the product is used. 8 programmable frequency bands are available, as per the below table :

English

COUNTRY CODE	COUNTRY	SPECIFICATIONS (CH, operating modes, TX power)
01	ITALIA / SPAGNA	40CH AM / FM 4W
02	ITALIA	36CH AM / FM 4W
03	GERMANIA	80CH FM 4W - 12CH AM 1W
04	GERMANIA	40CH FM 4W - 12CH AM 1W
05	EUROPA / FRANCIA	40CH FM 4W - 40CH AM 1W
06	CEPT	40CH FM 4W
07	INGHILTERRA	40CH FM 4W UK FREQUENCIES - 40CH FM 4W CEPT FREQUENCIES
08	POLONIA	40CH AM / FM 4W POLISH FREQUENCIES

Attention ! This radio has been factory pre-programmed on the **CE** frequency band (**CEPT 40CH FM 4W**), since this standard is currently accepted in all the European countries. Please refer to the information table at page 7 (Restrictions on the use of CB transceivers).

Frequency band selection / programming

Frequency Band Selection / Programming

This two-way CB radio must be programmed and exclusively used on a frequency band allowed in the country where the product is used. When radio is switched ON, the current programmed frequency band code will be displayed (blinking) for about 3 seconds. To program a different frequency band, proceed as follows :

- 1) Turn OFF the radio.
- 2) Press and keep pressed the UP key (7), then turn ON the radio using the OFF/VOLUME knob (9).
- 3) The current frequency band code will blink on the display (5).
- 4) Now select the new desired frequency band code by pressing the UP (7) or DN (6) key; during the frequency band selection process, the frequency band code will blink at a faster speed.
- 5) Press the DN (6) key for about 2 seconds to confirm and store the new selected frequency band code.

Reset

To automatically reset the radio to the original factory settings (CE frequency brand), follows the below process :

- 1) Turn OFF the radio.
- 2) Press and keep pressed the DN key (6), then turn ON the radio using the OFF/VOLUME knob (9).
- 3) The CE frequency band code (code 06) will blink on the display (5) for about 3 seconds.

Table of Restrictions on the Use of CB Transceivers (page 17)

The following information are to be considered only just as an indication. They are believed to be correct at the time of printing this operating manual. It is however the user's responsibility to check that, in the country where radio is used, the regulations for the use of CB transceivers have not been modified. User is therefore suggested to contact the local dealer or local authority, in order to check the current regulations for the use of CB transceivers, before operating this product. The manufacturer does not take any responsibility if the product is used in violation of the regulations of the country where the product is used.

Addendum (Updated information on national restrictions)

BELGIUM, UK, SPAIN, SWITZERLAND

In order to use this transceiver in Belgium, UK, Spain and Switzerland, residence must have an individual licence. Users coming from abroad may freely use the radio in FM mode, while in order to use it in AM mode they must hold a licence released in their own country.

ITALY

Foreigners arriving in Italy must get an Italian authorization.

AUSTRIA

Austria does not allow using multi standard programmable CB radios. It is recommended to carefully follow this directives and not to use the product in the Austrian territory.

GERMANY

Along some border areas in Germany, the radio can not be used as a base station from channel 41 to channel 80. Refer to local authority (notification office) for details.

Specifications

English

Specifications

General

Channels	40 FM (refer to the frequency bands table at page 6)
Frequency range	26.315 – 28.105 MHz
Frequency control	P.L.L.
Operatine temperature	-10°/+55°C
DC input voltage	13.2Vdc ±15%
Size	140 (L) x 37 (A) x 190 (P) mm
Weight	750 gr.

Receiver

System	Double conversion, CPU controlled super-eterodine
IF	1° 10.695 MHz / 2° 455 KHz
Sensitivity	0.5uV for 20dB SINAD (FM) 0.5uV for 20dB SINAD (AM)
Audio output	2.5W
Audio distorsion	<8% at 1 KHz
Image rejection	65dB
Adjacent channel	65dB
Signal/noise ratio	45dB
Current drain	325mA (stand-by)

Transmitter

System	CPU controlled P.L.L. synthesizer
Maximum RF power	4W at 13.2Vdc
Modulation	85% to 90% (AM) 1.8 KHz ±0.2 KHz (FM)
Impedance	50 ohm unbalanced
Current drain	1300mA (at no modulation)

Indice

Indice	9
Introduzione	9
Contenuto della confezione	9
Descrizione dei comandi e funzionamento	10-12
Installazione e collegamenti elettrici	13
Tabella bande di frequenza	14
Selezione / programmazione della banda di frequenza	15
Tabella delle restrizioni all' uso dei ricetrasmittitori CB	15 / 17
Caratteristiche tecniche	16
Circuito stampato Main Board e CPU	18-19
Schema elettrico	20-21
Schema a blocchi	22-23
Note	24-25

Italiano

IMPORTANTE !

Prima di utilizzare la ricetrasmittente, verificare che la stessa sia programmata per operare sulle bande di frequenza e nei modi previsti dalle norme di legge in vigore nel paese in cui la radio viene utilizzata. Diversamente procedere alla modifica della programmazione, come indicato in questo manuale di istruzioni. La radio è pre-programmata all' origine sulla banda di frequenza europea CE (CEPT 40CH FM 4W).

Congratulazioni !

Congratulazioni per aver scelto ed acquistato un prodotto di qualità INTEK. Questo ricetrasmittitore dispone di numerose funzioni avanzate e vari dispositivi, pertanto è assolutamente necessario leggere attentamente questo manuale di istruzioni prima di utilizzare l' apparecchio. Con un uso corretto secondo quanto è indicato nel manuale di istruzioni, l' apparecchio garantirà un servizio senza problemi per molti anni. Ci impegnamo costantemente a fornire prodotti di qualità che rispondano alle vostre esigenze, ma siamo comunque sempre molto interessati a ricevere eventuali vostri commenti o suggerimenti su questo prodotto, che ci aiutino nel continuo miglioramento della qualità. INTEK M-110 PLUS è un ricetrasmittitore con caratteristiche tecniche di hardware e software molto avanzate e dispone di un circuito di tipo Multi Standard programmabile che consente di configurare i vari parametri dell' apparecchio (bande di frequenza, modi operativi, potenza del trasmettitore) in modo conforme alle norme di legge in vigore nei vari paesi della Comunità Europea. Pertanto questa ricetrasmittente può essere utilizzata in un qualsiasi paese della Comunità Europea. L' apparecchio viene consegnato pre-programmato sulla banda CE (CEPT 40CH FM 4W).

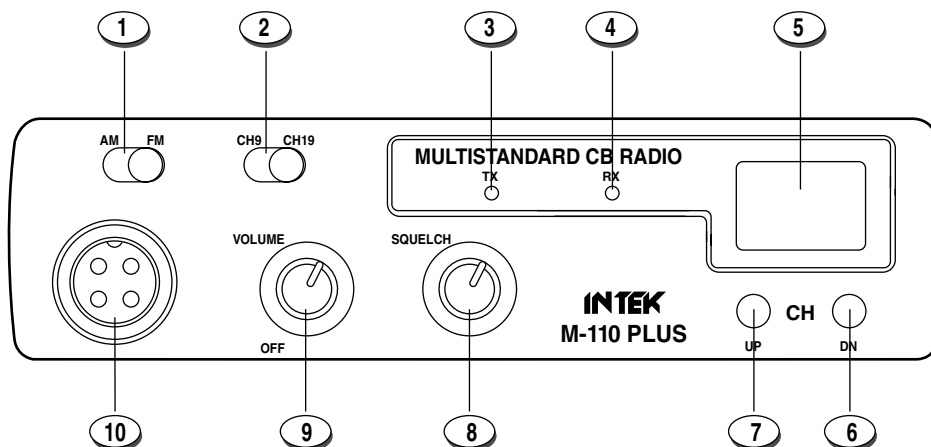
Contenuto della confezione

Verificare che le seguenti parti siano contenute nella confezione :

- ricetrasmittitore
- cavetto di alimentazione DC con porta fusibile e fusibile
- microfono dinamico
- staffa di montaggio per veicolo
- accessori per montaggio staffa (viti, pomelli, ecc.)
- staffa di supporto per microfono
- manuale di istruzioni

Descrizione dei comandi e funzionamento

Pannello frontale



Italiano

1. Selettore AM/FM

Questo selettore consente di selezionare il modo operativo AM o FM, in TX e RX, se il modo scelto è abilitato dalla banda di frequenza programmata.

SELETTORE UK / CE

Se è stata programmata la banda di frequenza UK (Gran Bretagna), selezionando AM sarà possibile utilizzare i canali (frequenze) CE, selezionando invece FM sarà possibile utilizzare i canali (frequenze) UK.

2. Selettore CH9 / CH19

Questo selettore a 3 posizioni consente di selezionare i canali di emergenza CH9 e CH19 della banda di frequenza selezionata. Nella posizione centrale vengono selezionati i normali canali operativi.

3. Indicatore TX

Questo indicatore LED luminoso di colore rosso è acceso quando il ricetrasmittitore è in modalità trasmissione.

4. Indicatore RX

Questo indicatore LED luminoso di colore verde è acceso quando il ricetrasmittitore è in modalità ricezione.

5. LED Display

Display a LED, indica il canale in uso e la banda selezionata.

6. Tasto DN

Questo tasto permette la selezione dei canali in ordine decrescente. Mantenendo premuto questo tasto, la selezione dei canali avverrà in modo rapido.

7. Tasto UP

Questo tasto permette la selezione dei canali in ordine crescente. Mantenendo premuto questo tasto, la selezione dei canali avverrà in modo rapido.

Descrizione dei comandi e funzionamento

8. Manopola SQUELCH

Il comando SQUELCH permette di silenziare il ricevitore, eliminando il rumore (fruscio) di fondo in assenza di segnali. Ruotare la manopola dello SQUELCH in senso orario sino a quando scompare il rumore di fondo. Ruotare la manopola dello SQUELCH in senso antiorario (apertura dello SQUELCH) per ascoltare i segnali più deboli.

9. Manopola OFF / VOLUME

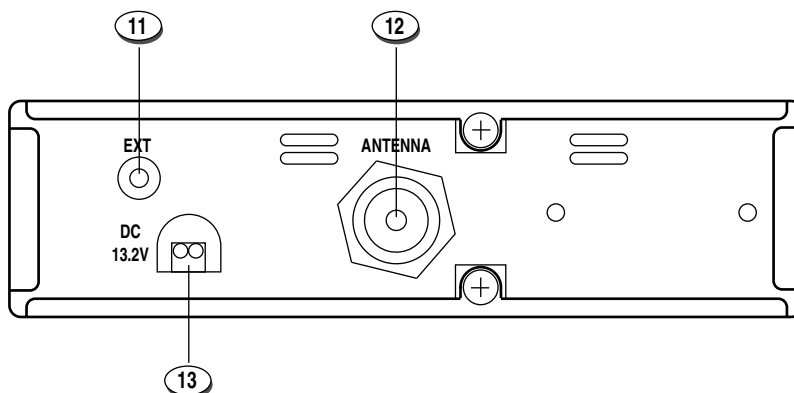
Manopola di accensione e spegnimento della radio. Permette la regolazione del volume di ascolto. In assenza di segnali sul canale in uso, si consiglia di aprire lo SQUELCH e quindi di regolare il volume al livello desiderato utilizzando come riferimento il rumore (fruscio) di fondo.

10. Presa per microfono

Collegare il microfono in dotazione a questa presa, bloccandolo tramite l' apposita ghiera.

Italiano

Pannello posteriore



11. Presa EXT (External Speaker)

Preso per il collegamento di un altoparlante esterno (opzionale).

12. Connettore di antenna (SO-239)

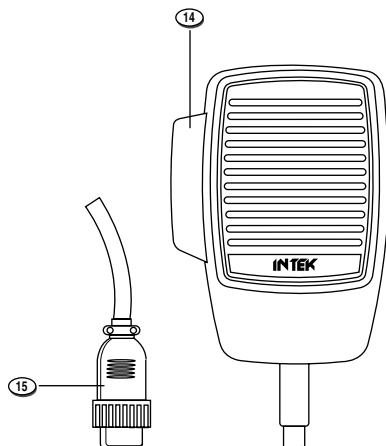
Preso per il collegamento dell' antenna. Vedi capitolo installazione e collegamenti elettrici.

13. Entrata POWER 13.2VDC

Entrata del cavetto di alimentazione DC in dotazione.

Descrizione dei comandi e funzionamento

Microfono



14. Tasto PTT (Push-to-Talk)

Tasto di trasmissione. Premere per trasmettere e mantenere premuto durante la trasmissione e rilasciare per ritornare in modalità ricezione.

15. Connettore microfono

Connettore del microfono a 4 poli con ghiera di fissaggio, da collegarsi alla apposita presa (10) sul pannello frontale.

IMPORTANTE !

Non tentare mai di aprire il contenitore del ricetrasmittitore. All' interno dell' apparecchio non vi sono parti utili o utilizzabili dall' utente. Interventi o manomissioni del circuito interno della radio possono causare danni alla stessa o modificarne le caratteristiche tecniche ed inoltre violano e invalidano il diritto alla garanzia. In caso di interventi tecnici, rivolgersi esclusivamente ad tecnico o ad un centro di assistenza autorizzato.

Installazione e collegamenti elettrici

Installazione del ricetrasmittitore

E' necessario verificare e localizzare sul veicolo la posizione più opportuna ove installare l' apparecchio, in modo che sia pratico e confortevole l' utilizzo dello stesso e che l' ubicazione del ricetrasmittitore non sia in nessun modo di ostacolo alla guida del veicolo. Per il montaggio del ricetrasmittitore, utilizzare la staffa e le viti in dotazione. Le viti di fissaggio della staffa devono essere ben serrate in modo che le vibrazioni del veicolo non possano allentarle. La staffa può essere montata sia sopra sia sotto l' apparecchio a seconda del tipo di installazione richiesto. Il ricetrasmittitore può anche essere inclinato e poi bloccato nella posizione desiderata tramite i 2 pomelli di fissaggio in dotazione.

Collegamento elettrico del ricetrasmittitore

Prima di collegare l' apparecchio al circuito elettrico del veicolo, assicurarsi che il ricetrasmittitore sia spento, ovvero che la manopola OFF/VOLUME (9) sia girata completamente in senso antiorario in posizione OFF. Il cavetto di alimentazione (16) del ricetrasmittitore è completo di porta-fusibile con fusibile di protezione posto sul cavo rosso del positivo (+). Collegare il cavetto di alimentazione al circuito elettrico del veicolo, facendo molta attenzione nel rispettare la corretta polarità, anche se l' apparecchio è protetto contro le inversioni di polarità. Collegare il cavetto rosso al polo positivo (+) e il cavetto nero al polo negativo (-) del circuito elettrico del veicolo. Assicurarsi che il collegamento dei cavetti sia ben eseguito e che i terminali siano ben fissati, per evitare che essi si possano staccare o causare corto circuiti.

Installazione e collegamento dell' antenna

Deve essere utilizzata un' antenna veicolare tarata sulle frequenze CB 27 MHz. L' installazione dell' antenna deve essere eseguita da un tecnico specializzato. La massima attenzione deve essere prestata nel montaggio dell' antenna sul veicolo e nel collegamento della stessa alla massa del veicolo. Prima del collegamento al ricetrasmittitore, è indispensabile che sia verificato il corretto funzionamento dell' antenna con basso livello di onde stazionarie (R.O.S.), tramite apposita strumentazione. In caso contrario, il circuito trasmittente dell' apparecchio potrebbe venire danneggiato. L' antenna deve essere normalmente montata sulla parte più alta del veicolo, libera da ostacoli e il più possibile distante da fonti di disturbo elettrico o elettromagnetico. Il cavetto coassiale RF dell' antenna non deve essere danneggiato o schiacciato nel percorso dall' antenna al ricetrasmittitore. La corretta funzionalità dell' antenna ed il basso rapporto di onde stazionarie (R.O.S.) devono essere controllati periodicamente. Collegare il cavo RF dell' antenna all' apposita presa di antenna (15), posta sul pannello posteriore della radio.

Controllo del funzionamento del ricetrasmittitore

Una volta eseguiti i collegamenti elettrici del cavo di alimentazione e dell' antenna, si può controllare il corretto funzionamento del sistema. Procedere come segue :

- 1) Controllare che sia correttamente collegato il cavetto di alimentazione.
- 2) Controllare che sia correttamente collegato il cavetto coassiale RF dell' antenna.
- 3) Collegare il microfono all' apposita presa (10), posta sul pannello frontale della radio.
- 4) Ruotare il comando SQUELCH (8) in senso antiorario a inizio corsa.
- 5) Accendere l' apparecchio tramite la manopola OFF/VOLUME (9) e regolare il volume di ascolto al livello desiderato.
- 6) Selezionare il canale desiderato, tramite i tasti di selezione dei canali (6 e 7).
- 7) Ruotare il comando SQUELCH (8) in senso orario, per eliminare il rumore di fondo.
- 8) Premere il tasto PTT (14) per trasmettere e quindi rilasciarlo per ricevere.

Il ricetrasmittitore dovrà funzionare correttamente.

Tabella bande di frequenza

Tabella bande di frequenza

Il ricetrasmittitore INTEK M-110 PLUS dispone di un avanzato circuito multi-standard programmabile, che consente di programmare la banda di frequenza, i parametri e i modi operativi in conformità con le norme del paese in cui viene utilizzato l'apparecchio. Sono disponibili n. 8 bande programmabili, come dalla seguente tabella :

CODICE PAESE	PAESE	SPECIFICHE (Canali, modi operativi, potenza TX)
01	ITALIA / SPAGNA	40CH AM / FM 4W
02	ITALIA	36CH AM / FM 4W
03	GERMANIA	80CH FM 4W - 12CH AM 1W
04	GERMANIA	40CH FM 4W - 12CH AM 1W
05	EUROPA / FRANCIA	40CH FM 4W - 40CH AM 1W
06	CEPT	40CH FM 4W
07	INGHILTERRA	40CH FM 4W UK FREQUENCIES - 40CH FM 4W CEPT FREQUENCIES
08	POLONIA	40CH AM / FM 4W POLISH FREQUENCIES

Italiano

Attenzione ! Il ricetrasmittitore è stato pre-programmato all'origine sulla banda di frequenza con codice paese **CE (CEPT 40CH FM 4W)**, in quanto questo standard è attualmente riconosciuto in tutti i paesi europei. Vedere la tabella delle informazioni alla pag. 15 (Restrizioni all'uso dei ricetrasmittitori CB).

Selezione / programmazione della banda di frequenza

Selezione / programmazione della banda di frequenza

Il ricetrasmittitore deve essere programmato e utilizzato esclusivamente su una banda di frequenza ammessa nel paese in cui viene utilizzato l' apparecchio. La banda pre-impostata viene visualizzata con un lampeggio della durata di 3 secondi all' accensione dell' apparecchio. E' possibile programmare una diversa banda di frequenza, eseguendo la seguente procedura :

- 1) Spegnerne il ricetrasmittitore.
- 2) Premere e mantenere premuto il tasto UP (7), quindi accendere il ricetrasmittitore, ruotando la manopola OFF/VOLUME (9).
- 3) Il codice di paese impostato lampeggia sul display (5).
- 4) Selezionare ora il nuovo codice di paese desiderato, premendo i tasti UP (7) o DN (6); la velocità del lampeggio sarà più rapida ad indicare la procedura di selezione.
- 5) Premere per circa 2 secondi il tasto DN (6) per confermare.

Reset generale

Per riportare l' apparecchio nelle condizioni originali, sulla banda di frequenza con codice paese CE, eseguire la seguente procedura :

- 1) Spegnerne il ricetrasmittitore.
- 2) Premere e mantenere premuto il tasto DN (6), quindi accendere il ricetrasmittitore, ruotando la manopola OFF/VOLUME (9).
- 3) Il codice di paese 06 lampeggia sul display (5) per circa 3 secondi.

Tabella delle restrizioni all' uso dei ricetrasmittitori CB (pag. 17)

Le seguenti informazioni sono date a solo titolo indicativo. Si ritiene che le stesse siano corrette al momento della stampa del presente manuale di istruzioni. E' tuttavia responsabilità dell' utilizzatore del ricetrasmittitore il verificare che, nel paese in cui viene utilizzato l' apparecchio, non siano state introdotte variazioni alle norme di legge che abbiano modificato le suddette restrizioni. Si consiglia quindi l' utilizzatore di consultare il proprio rivenditore di fiducia o l' autorità locale al fine di verificare con esattezza le norme di legge in vigore e le restrizioni all' uso per i ricetrasmittitori CB, prima di utilizzare il prodotto. Il produttore non assume alcuna responsabilità per l' uso del prodotto in modo non conforme a quanto è stabilito dalle norme di legge, vigenti nel paese in cui il prodotto è utilizzato.

Addendum (Aggiornamento sulle restrizioni nazionali)

BELGIO, GRAN BRETAGNA, SPAGNA, SVIZZERA

Per poter utilizzare questo ricetrasmittitore in Belgio, Gran Bretagna, Spagna e Svizzera, i residenti necessitano di una licenza individuale. Coloro che invece provengono dall' estero possono utilizzare liberamente l' apparecchio in modo FM, mentre per utilizzarlo in modo AM devono essere in possesso di una licenza rilasciata dal paese di origine.

ITALIA

Per gli stranieri che arrivano in Italia, è necessaria una autorizzazione italiana.

AUSTRIA

L' Austria non autorizza l' uso di ricetrasmittitori CB di tipo multi-standard (programmabili). Si consiglia di rispettare scrupolosamente questa direttiva e di non utilizzare l' apparecchio nel territorio austriaco.

GERMANIA

Lungo i confini di alcune zone della Germania, l' utilizzo del ricetrasmittitore come stazione base dal canale 41 al canale 80 non è ammesso. Rivolgersi all' autorità locale (ufficio notifiche) per ulteriori dettagli.

Caratteristiche tecniche

Caratteristiche tecniche

Generali

Canali	40 FM (vedere tabella bande di frequenza a pag. 14)
Gamma di frequenza	26.315 - 28.105 MHz
Controllo di frequenza	P.L.L.
Temperatura di lavoro	-10°/+55°C
Tensione di alimentazione	13.2Vdc ±15%
Dimensioni	140 (L) x 37 (A) x 190 (P) mm
Peso	750 gr.

Italiano

Ricevitore

Sistema	Super-eterodina a doppia conversione, controllato da CPU
IF	1° 10.695 MHz / 2° 455 KHz
Sensibilità	0.5uV per 20dB SINAD (FM)
	0.5uV per 20dB SINAD (AM)
Uscita audio	2.5W
Distorsione audio	<8% a 1 KHz
Reiezione alle immagini	65dB
Canale adiacente	65dB
Rapporto segnale/rumore	45dB
Consumo	325mA (stand-by)

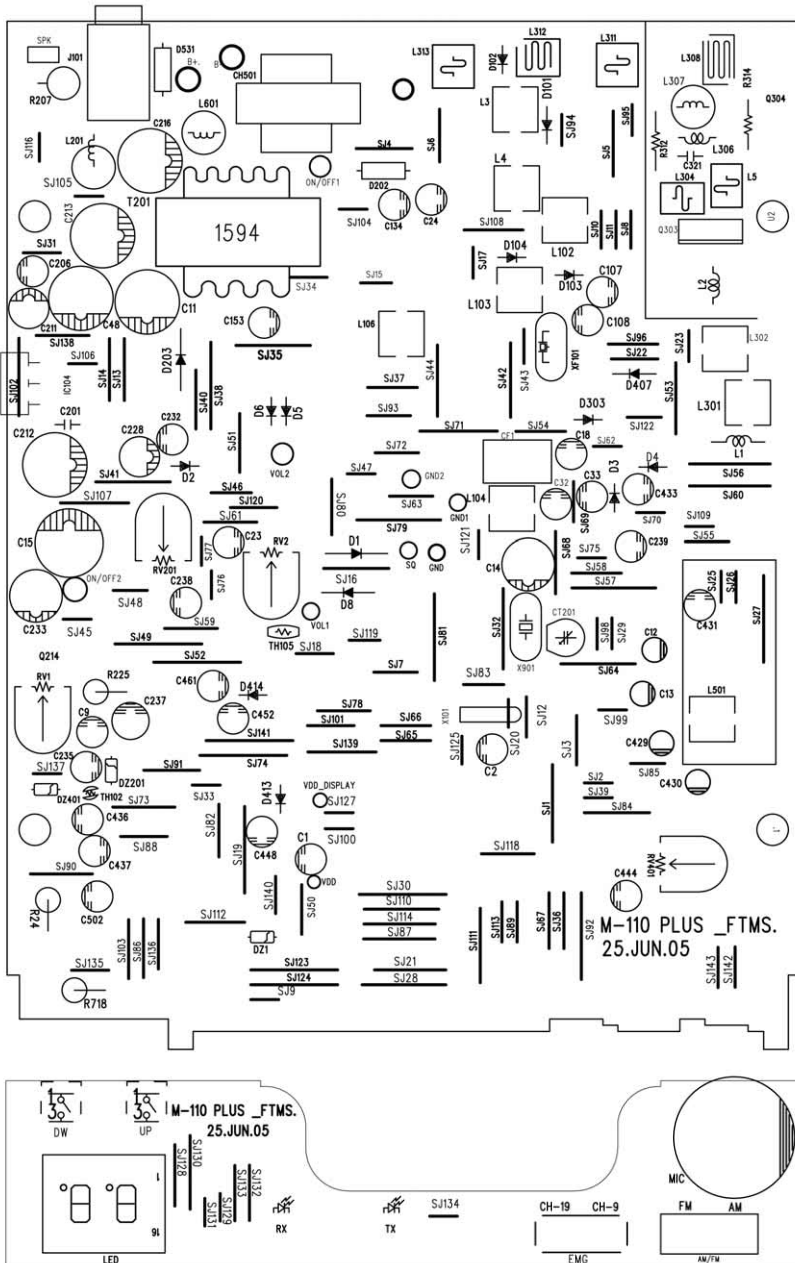
Trasmittitore

Sistema	Sintetizzatore P.L.L. controllato da CPU
Potenza RF massima	4W a 13.2Vdc
Modulazione	da 85% a 90% (AM)
	1.8 KHz ±0.2 KHz (FM)
Impedenza	50 ohm sbilanciati
Consumo	1300mA (senza modulazione)

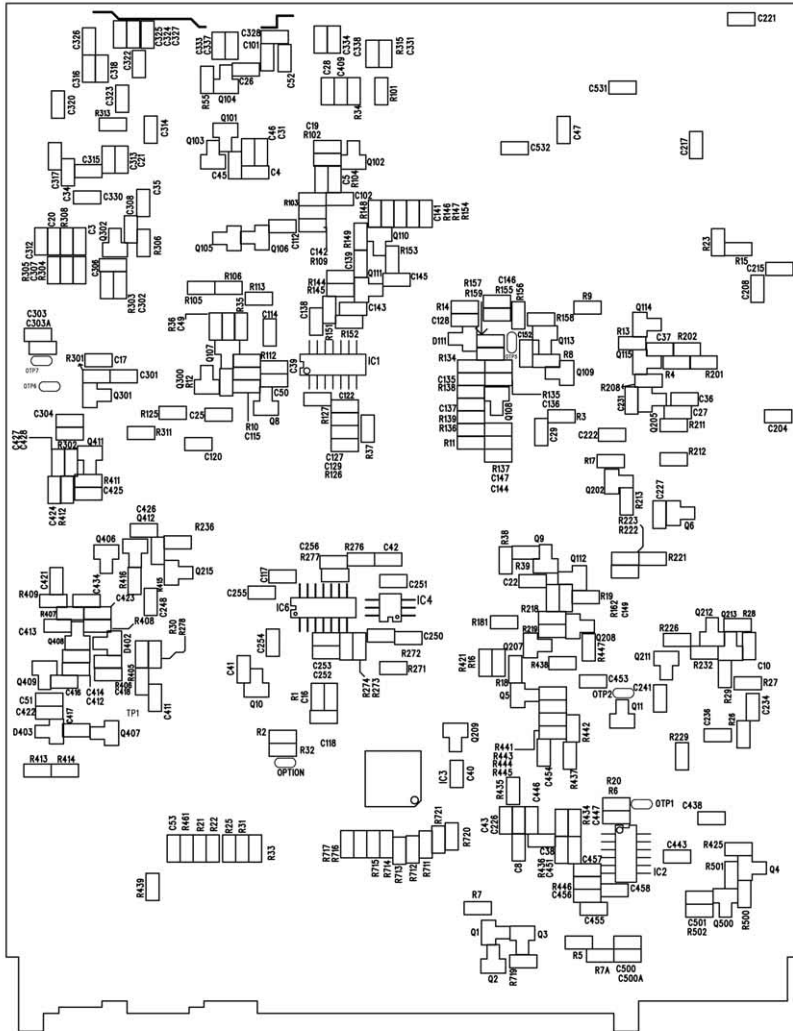
Table of restrictions on the use of CB transceivers

COUNTRY	CB Introd.	Use restrictions and other comments	Settings			
AUSTRIA	NO	Not allowed				
BELGIUM	YES	40 CH - 4W FM - Individual license is required 40 CH - 1W AM - Individual license is required		EU	FR	CE
DENMARK	YES	40 CH - 4W FM - Free use				CE
FINLAND	YES	40 CH - 4W FM - Free use e 1W AM - Free use		EU	FR	CE
FRANCE	YES	40 CH - 4W FM - Free use 40 CH - 1W AM - Free use		EU	FR	CE
GERMANY	YES	80 CH - 4W FM - Free use (restrictions for use as a base station on channels 41-80 in some border areas)	DE			
		12 CH - 1W AM - Free use				
		40 CH - 1W AM Free use (only CH 4-15 allowed)		EU		
		40 CH - 4W FM - Free use 12 CH - 1W AM - Free use	D2			CE
		REGTP Vfg41 issued on September 10, 2003				
GREECE	YES	40 CH - 4W FM - Free use 40 CH - 4W AM - Free use T/R 20-02		EU	FR	CE
IRELAND	YES	40 CH - 4W FM - Free use 40 CH - 4W AM - Free use	SP	EU	FR	10
		S.I. No 436 of 1998. WIRELESS TELEGRAPHY ACT, 1926 (SECTION3) (EXEMPTION OF CITIZENS' BAND (CB) RADIOS) ORDER, 1998				
ITALY	YES	40 CH - 4W FM - A Declaration to the Italian Ministry is required (art. 145 - dl 259 of 01/08/2003)	SP	EU	FR	10
		40 CH 1W AM - A Declaration to the Italian Ministry is required (art. 145 - dl 259 of 01/08/2003)				
		34 CH - 4W FM, 1W AM (erp). Nota: AM mode allowed on CH1-CH23 only. General authorisation is required (art. 104 - dl259 of 01/08/2003) P.N.F. issued on DM 08.07.02 Notes: 49 A/B/C/D/E/G				12
LUXEMBOURG	YES	40 CH - 4W FM - Free use. (Following frequencies are not allowed : 29.995, 27.045, 27.095, 27.145, 27.195 MHz)				CE
NORWAY	YES	40 CH - 4W FM - Free use				CE
NETHERLANDS	YES	40 CH - 4W FM - Free use		EU	FR	CE
		40 CH - 1W AM - Free use				
PORTUGAL	YES	40 CH - 4W FM - Individual licence is required		EU	FR	CE
		40 CH - 1W AM - Individual licence is required				
UNITED KINGDOM	YES	40 CH - 4W FM - Individual licence is required UK-RA-MPT 1382/MPT1320; UK-R&TTE -S.I.L. 2000:730	UK			CE
SPAIN	YES	40 CH - 4W FM - Individual licence is required	SP	EU	FR	CE
		40 CH - 4W AM - Individual licence is required				
		Ministerial decree of 18th November 2002 issued by "Secretaría de Estado de Telecomunicaciones y para la Sociedad de la Información"				
SWEDEN	YES	40 CH - 4W FM - Free use		EU	FR	CE
		40 CH - 1W AM - Individual licence is required				
SWITZERLAND	YES	40 CH - 4W FM - Individual licence is required		EU	FR	CE
		40 CH - 1W AM - Individual licence is required				

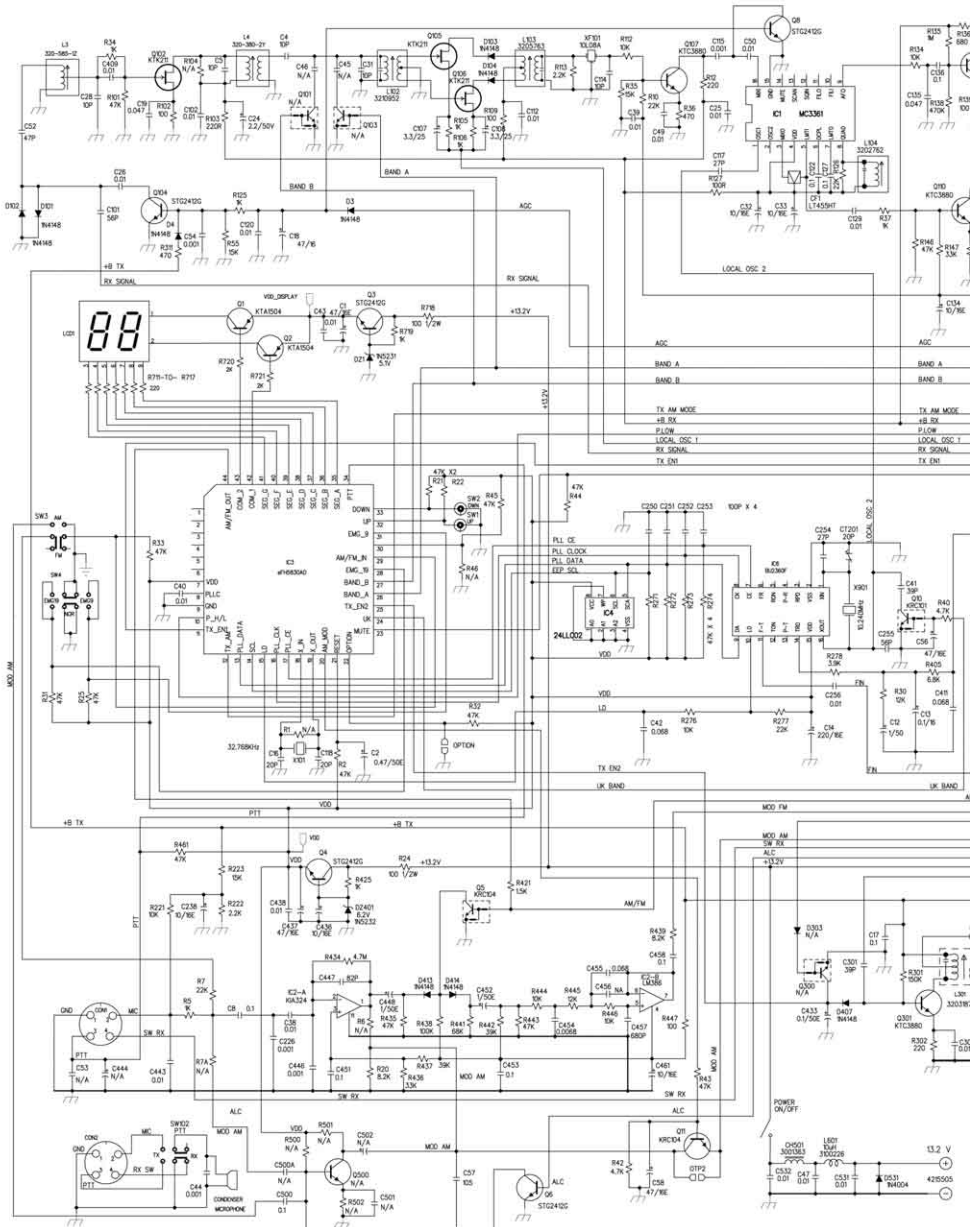
PCB - Main Board & CPU Board



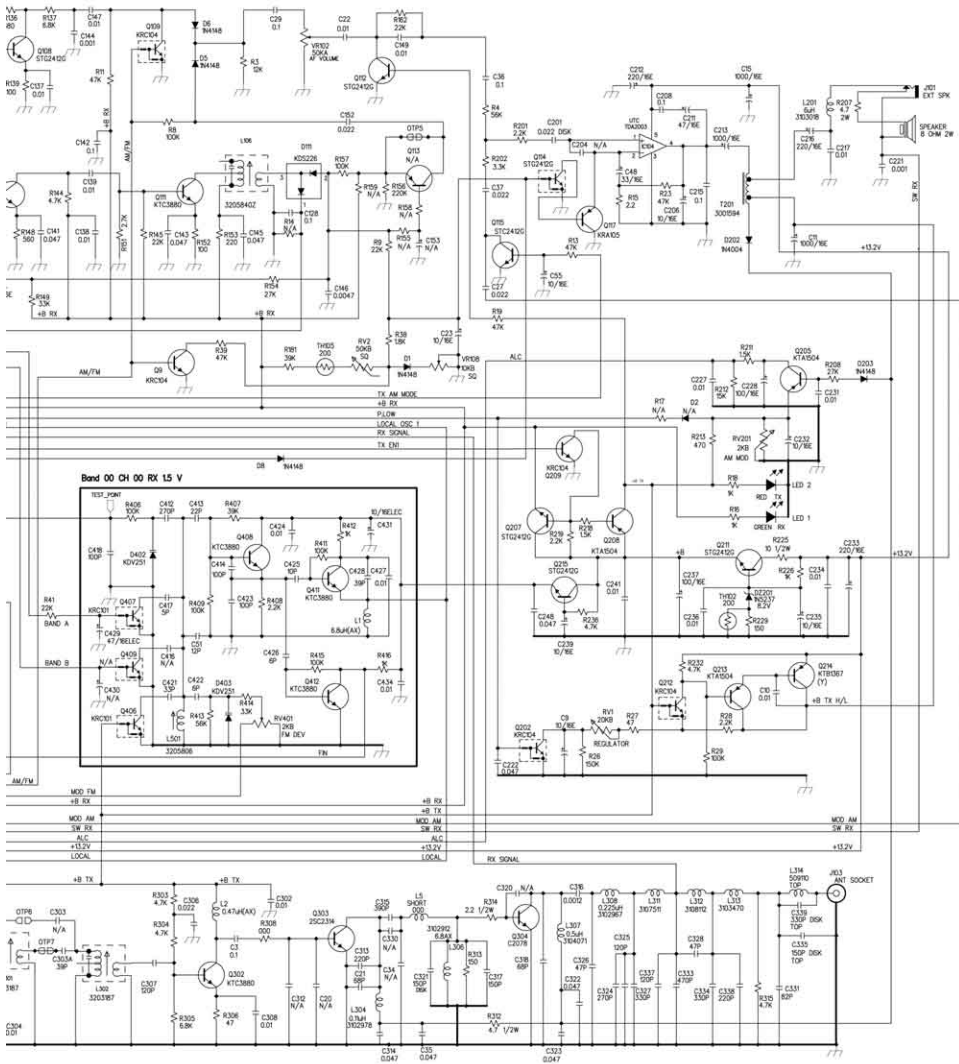
PCB - Main Board & CPU Board



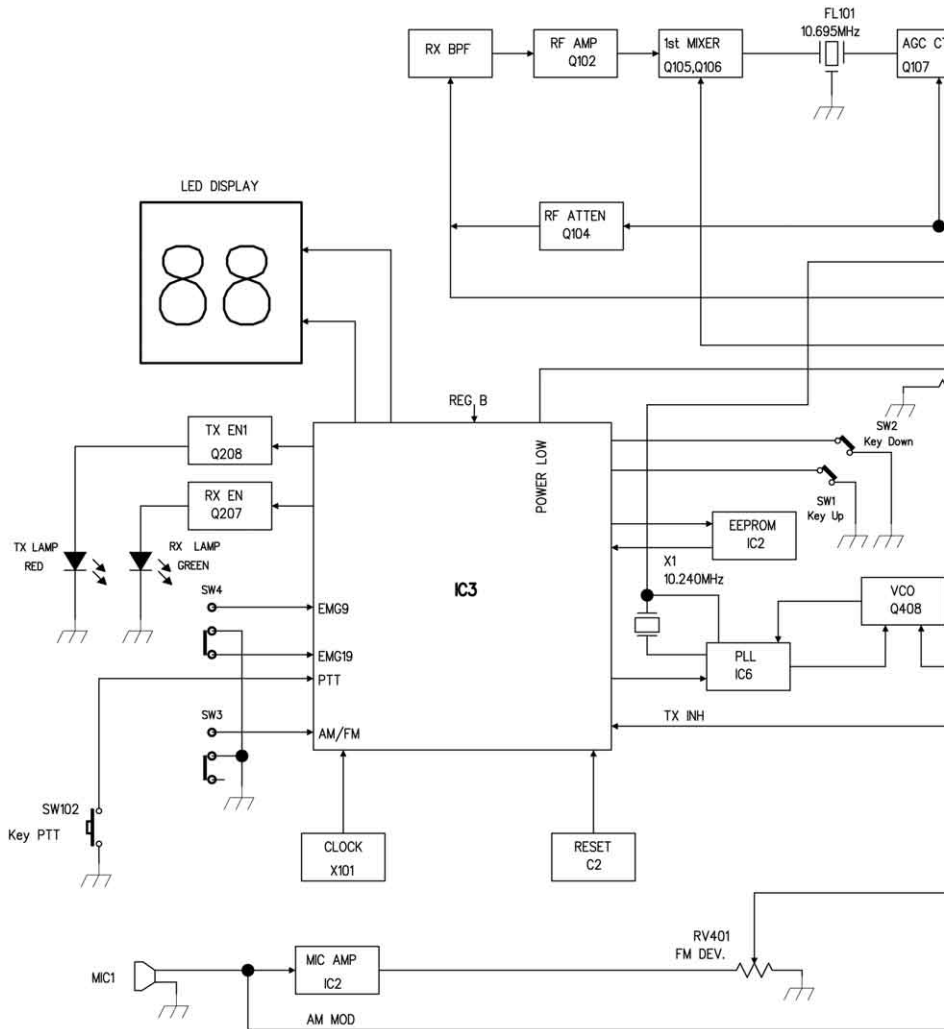
Diagram



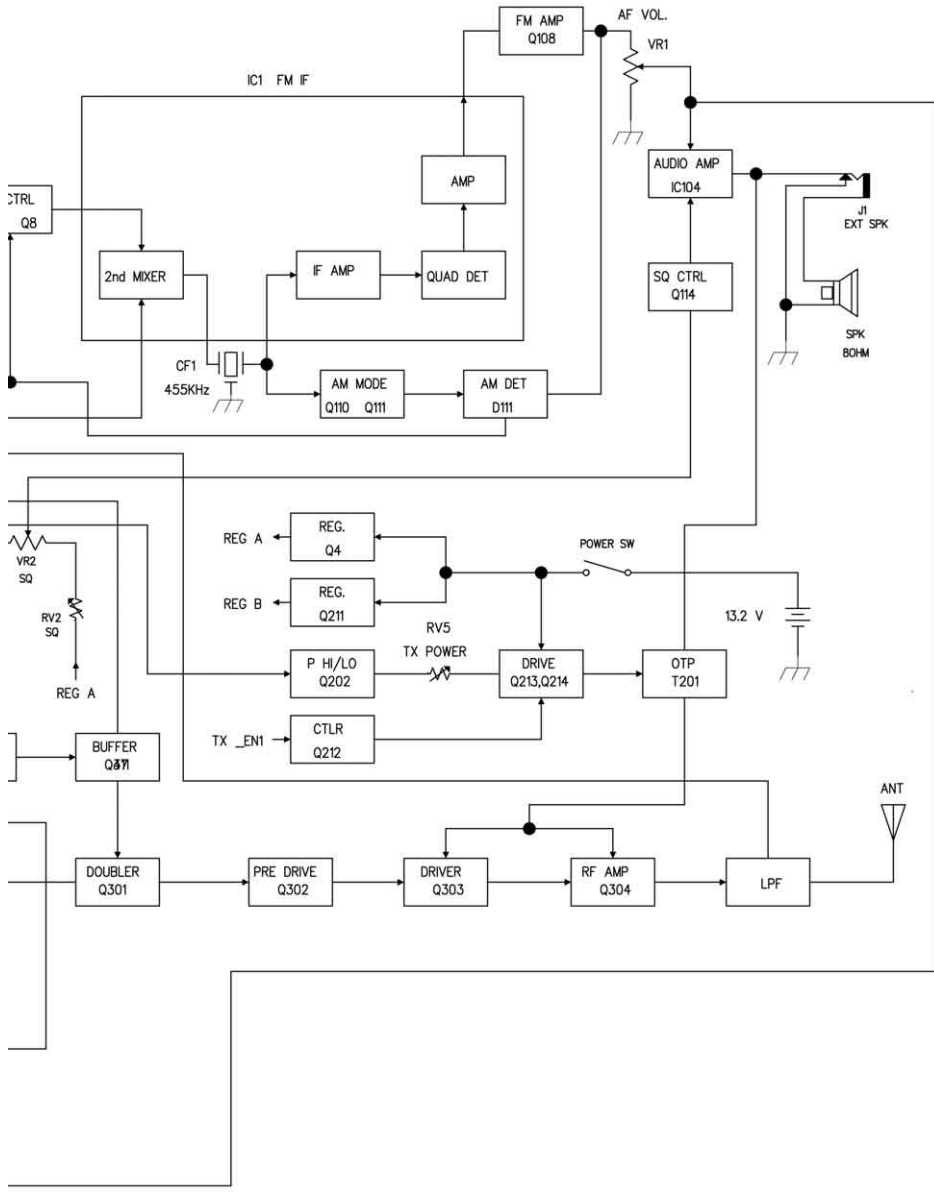
Diagram



Block Diagram



Block Diagram



Notes

INTEK[®]