

M-490 PLUS

MULTI STANDARD PROGRAMMABLE
27 MHz CB MOBILE TRANSCEIVER

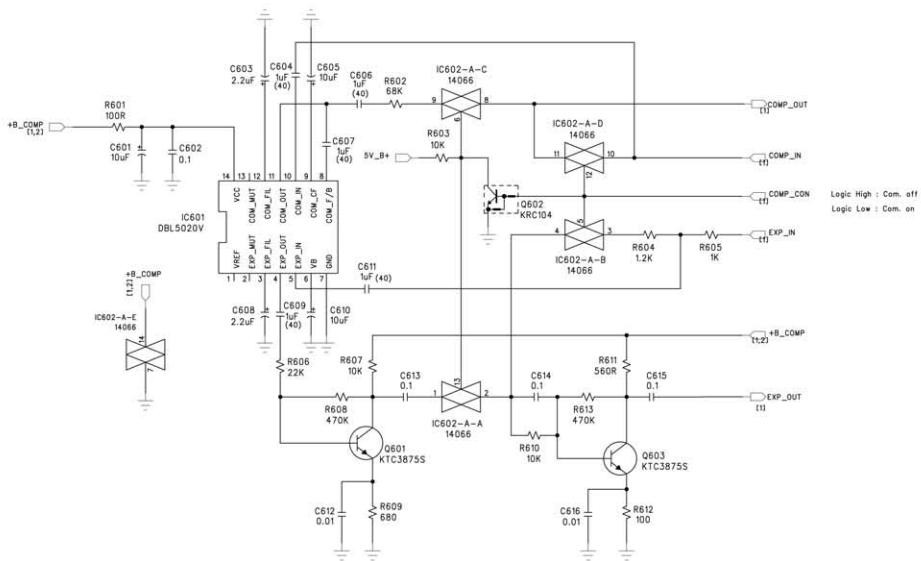
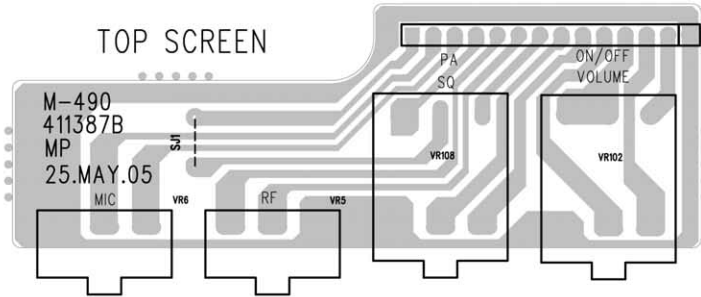
SERVICE MANUAL



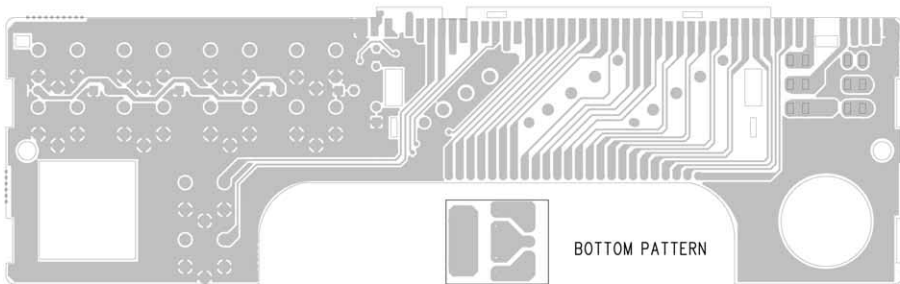
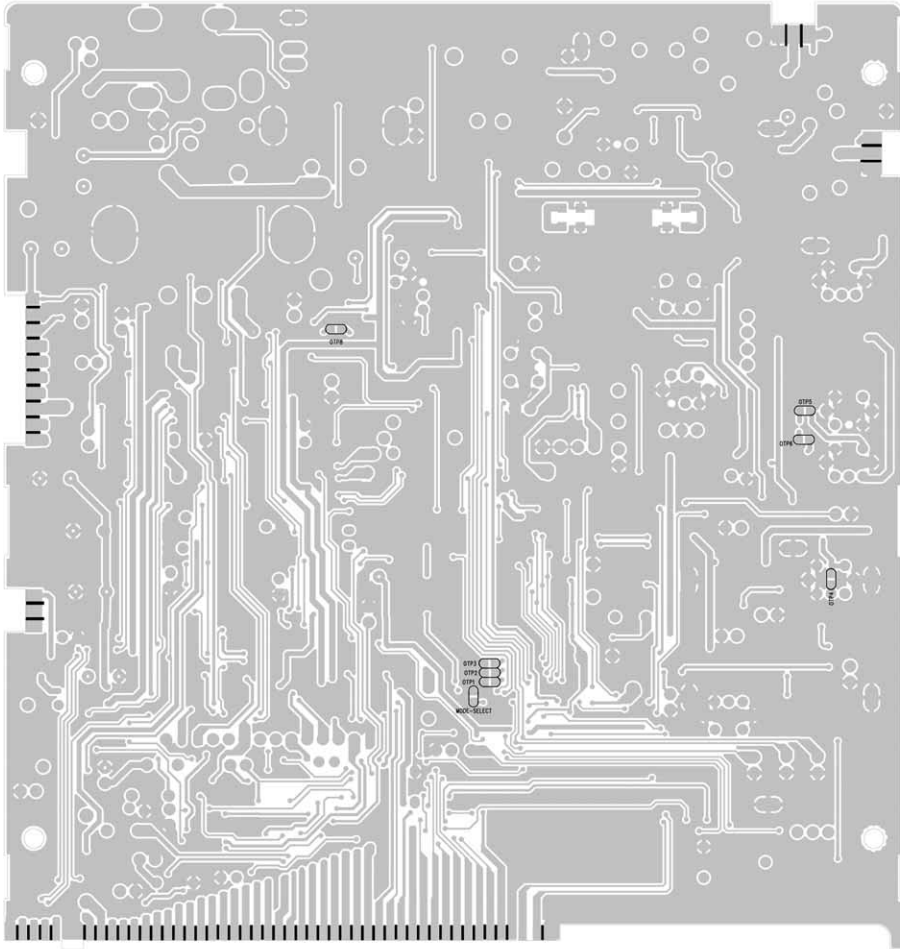
INTEK[®]

Downloaded from www.cbradio.nl

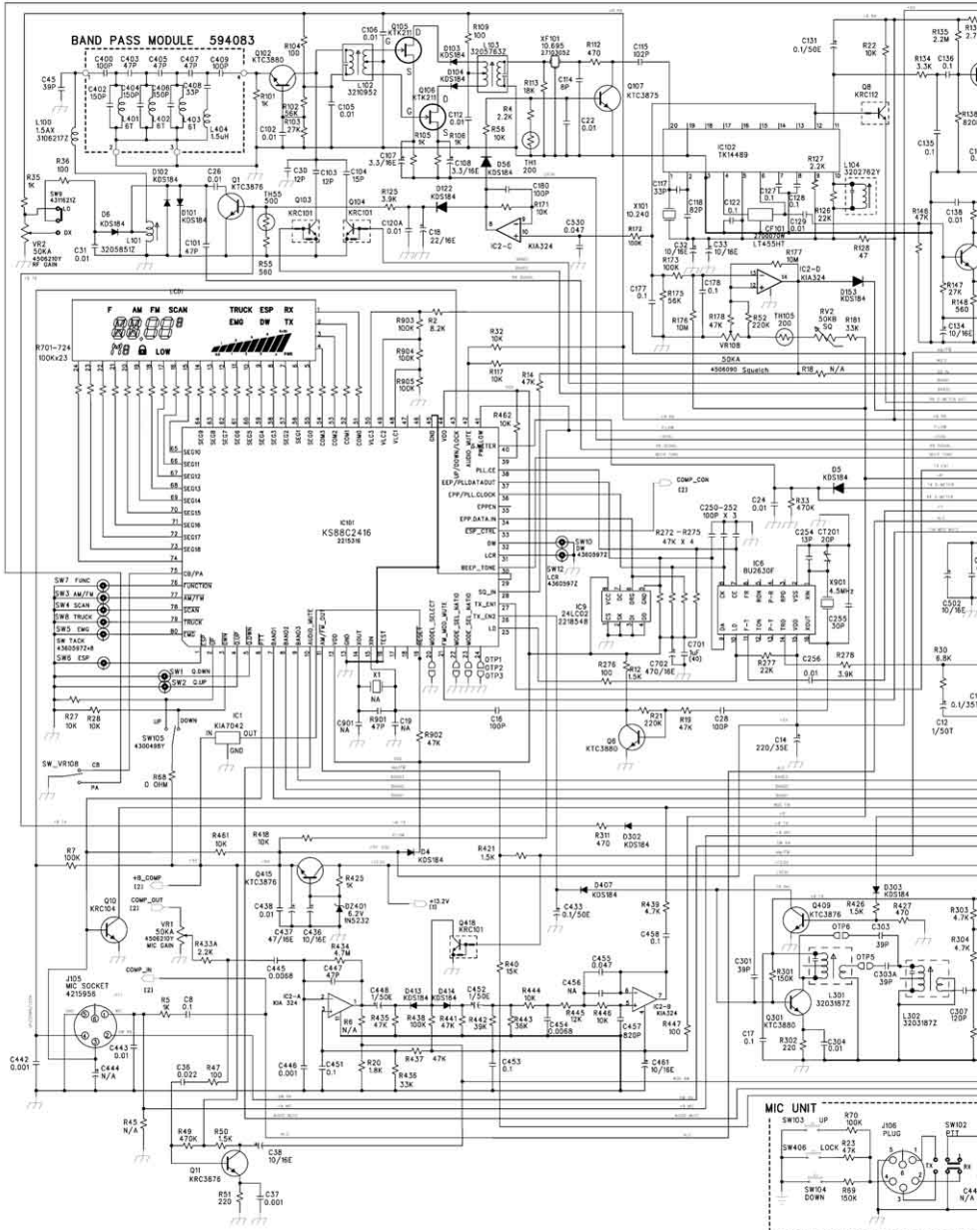
PCB - Controls Board / ESP Comander Diagram



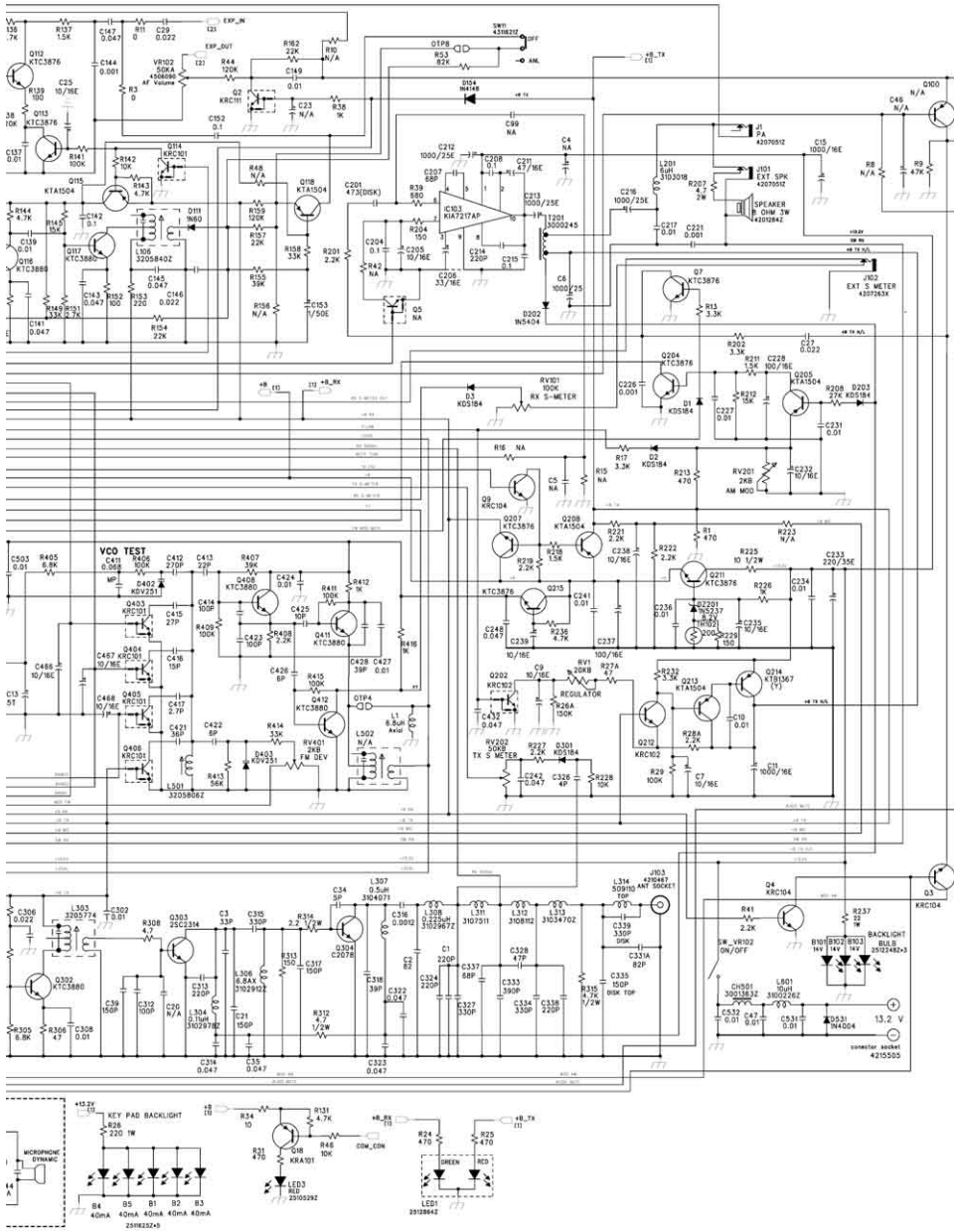
PCB - Main Board & CPU Board



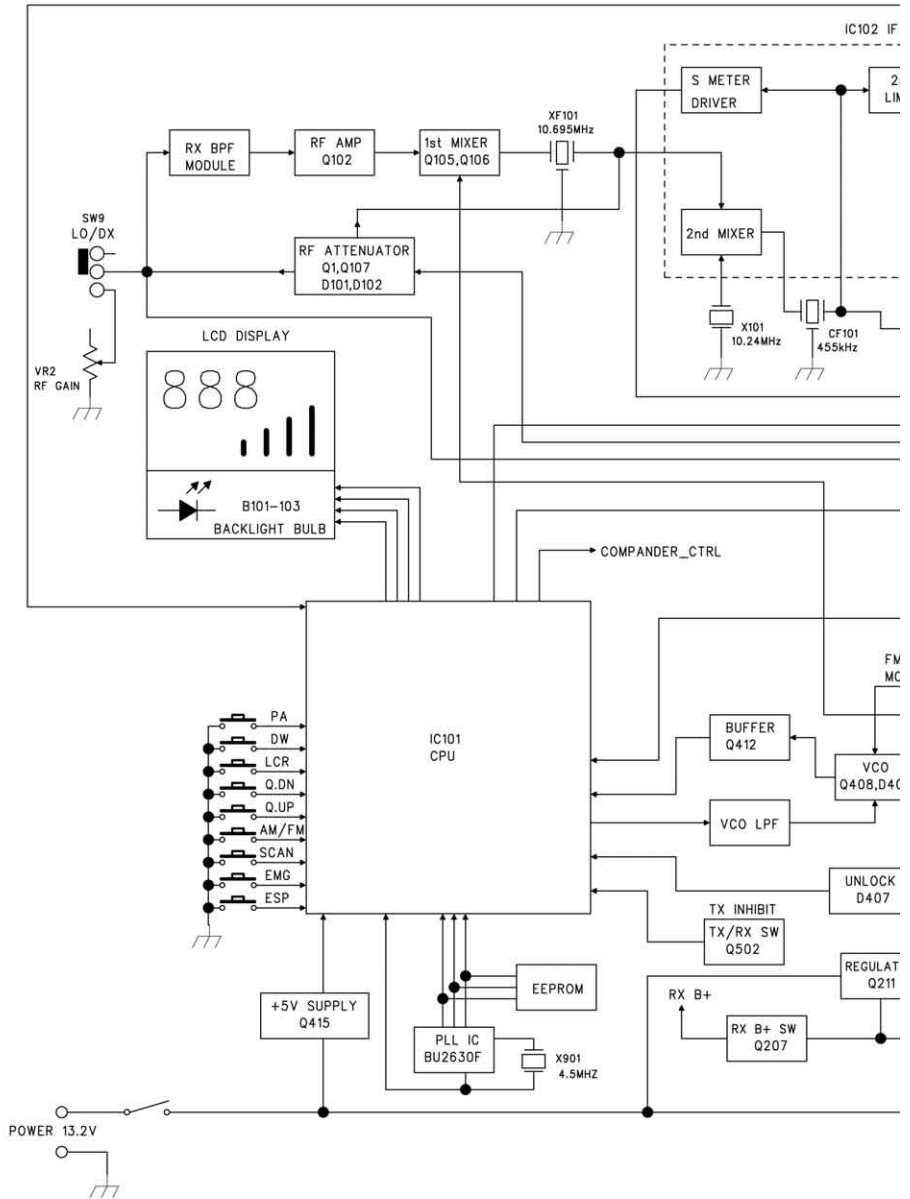
Diagram



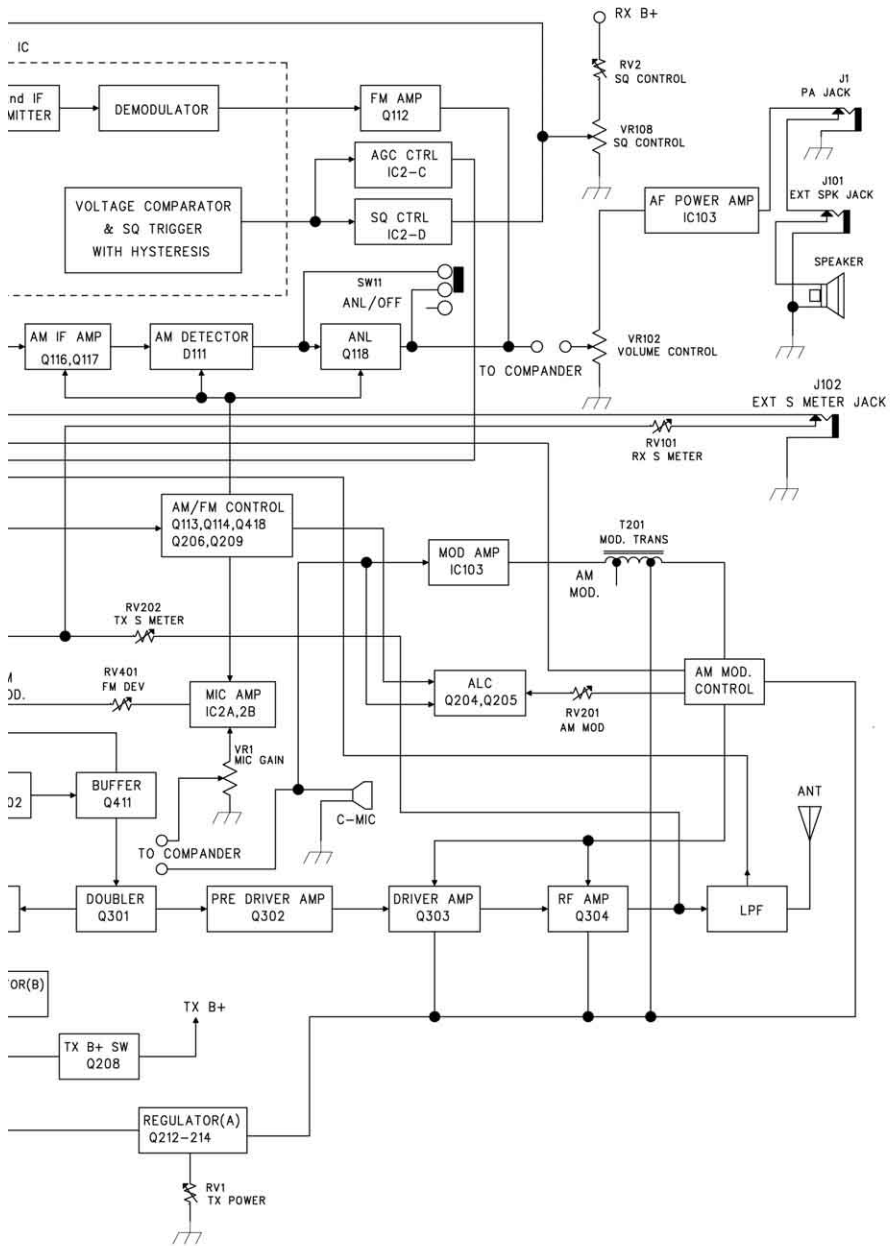
Diagram



Block Diagram



Block Diagram



INTEK[®]